

**!** CCT / Light Output

**Light Output**

ON  
1 2

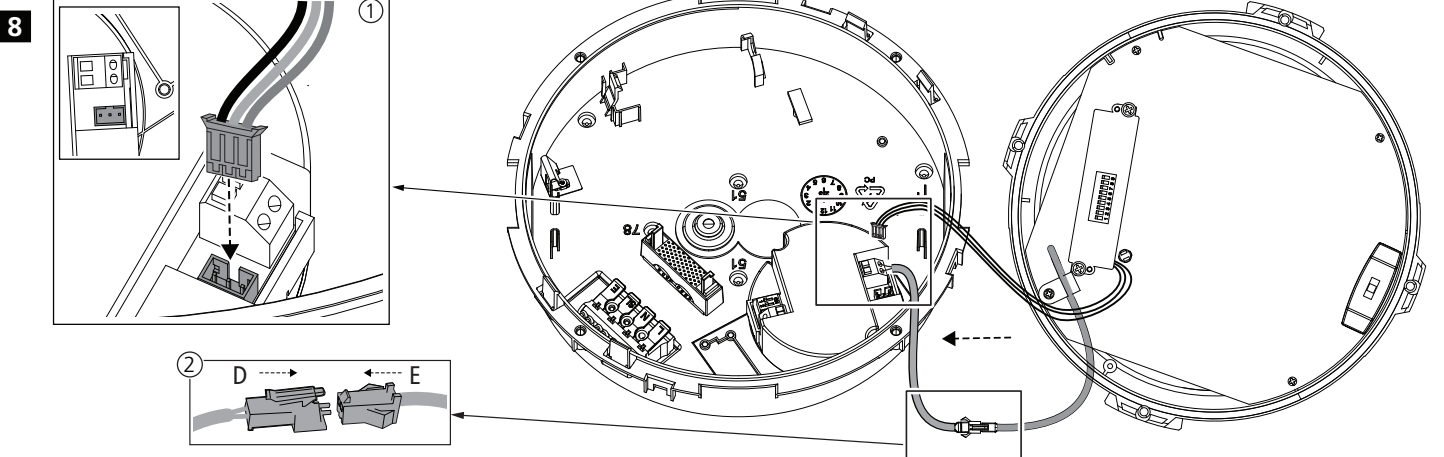
P[W]	0040050, 0040052		0040150, 0040152, 0040088	
	3000K [lm]	4000K [lm]	3000K [lm]	4000K [lm]
1   2				
○   ○	5.8 / 6.1	7.8 / 8.1	7.8 / 8.1	12 / 12.3
○   ●	125	170	720	960
●   ●	260	1425	780	1025
			1450	1550

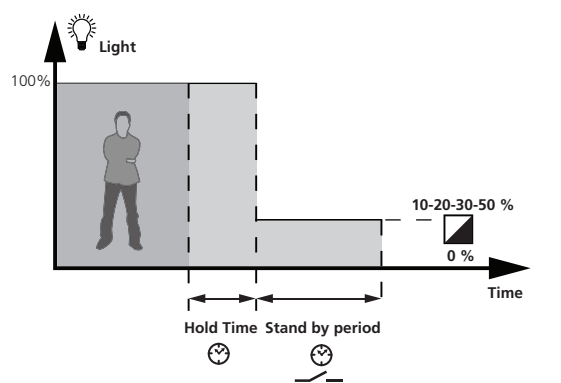
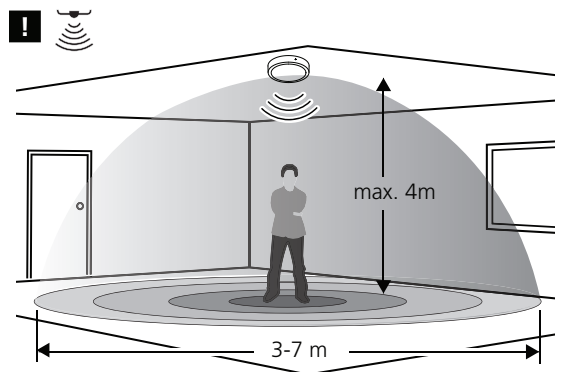
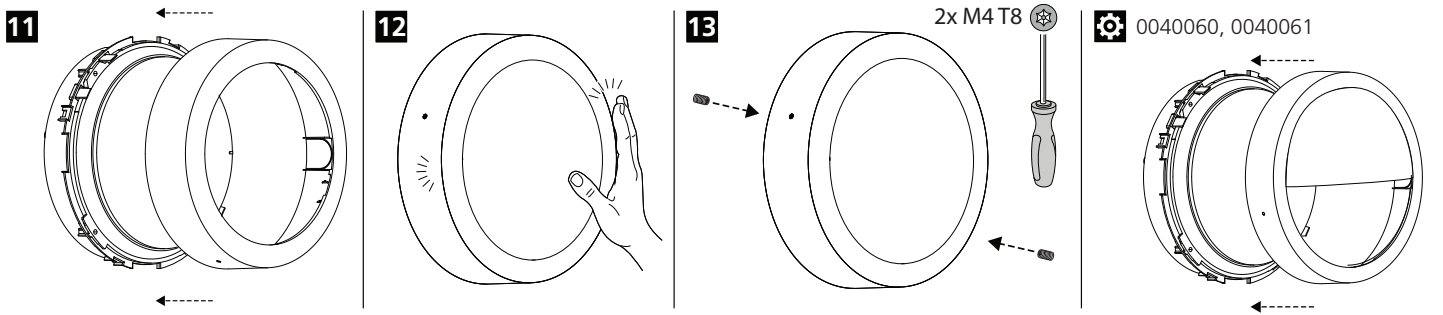
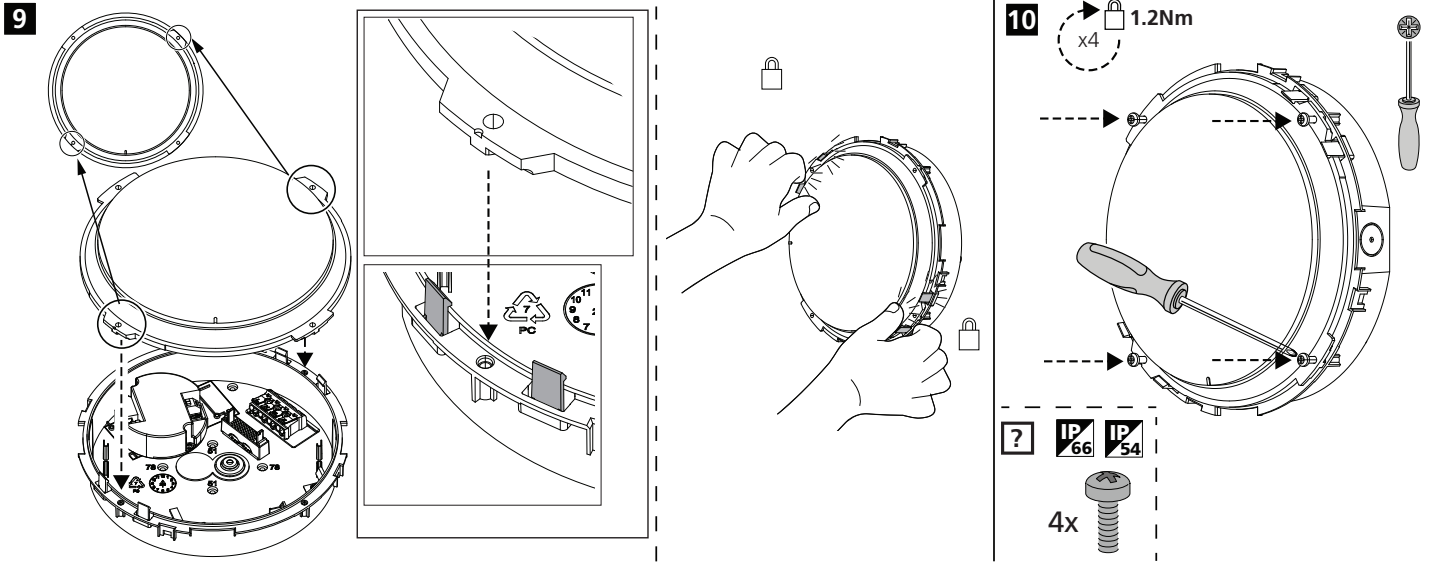
Factory Settings

3000K / 4000K

Neutral Warm

4000K 3000K





**!**

ON ●  
 ▲  
 ■  
 ▼  
 ○  
 OFF

**Detection Area**

1	●	100%
II	○	50%

**Hold-Time**

2	3	⊙
I	●●	5s
II	●○	30s
III	○●	1min
IV	○○	10min

**Daylight Threshold**

4	5	LUX ON	LUX OFF
I	●●	Disable	Disable
II	●○	50lux	100lux
III	○●	10lux	100lux
IV	○○	2lux	100lux

**Stand-by period**

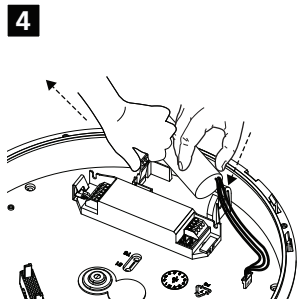
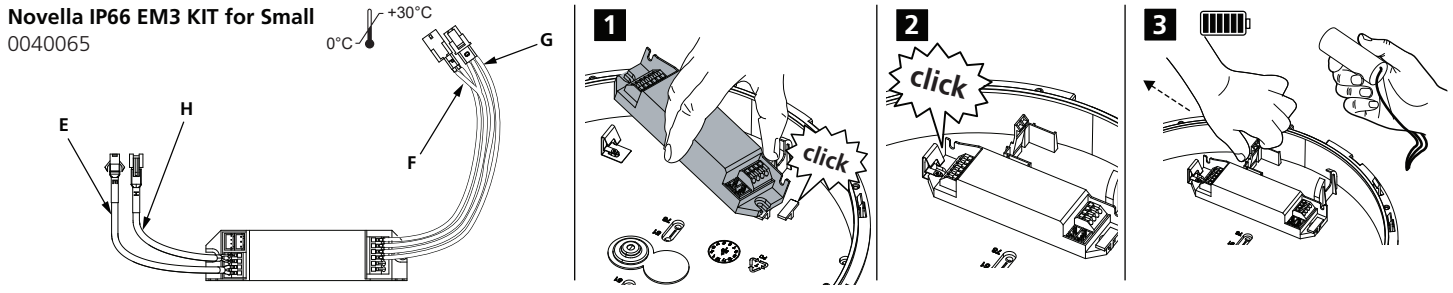
6	7	⊙
I	●●	0s
II	●○	30s
III	○●	20min
IV	○○	+∞

**Stand-by dimming level**

8	9	
I	●●	10%
II	●○	20%
III	○●	30%
IV	○○	50%

5s ... 30min

**Novella IP66 EM3 KIT for Small**  
0040065

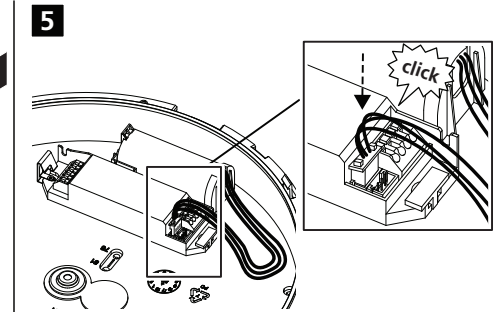


Date of Manufacture

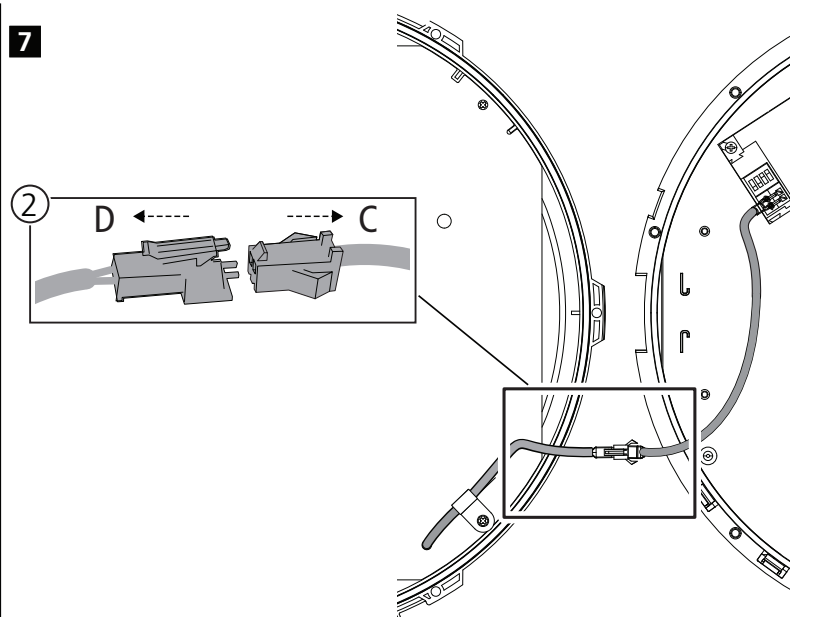
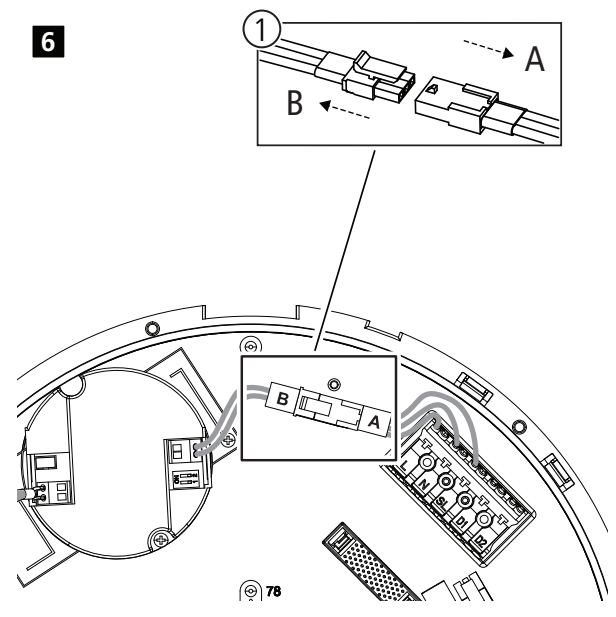
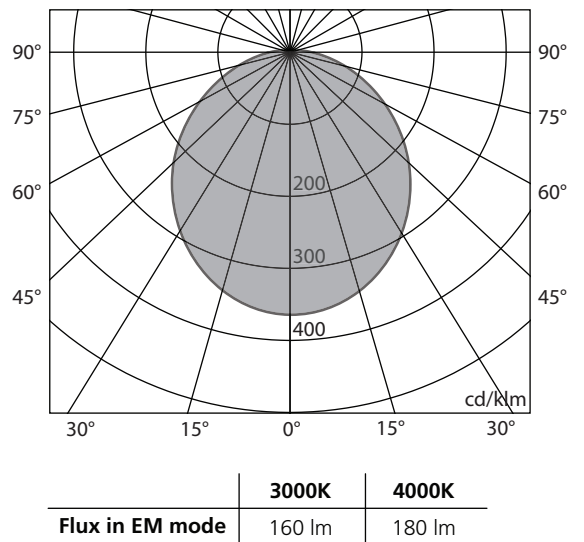
LiFeP04 3.2V 3200mAh 10.24Wh  
26650 1IFpR27/66-1 L1132NW  
21010323210202  
Art. No. 28002322

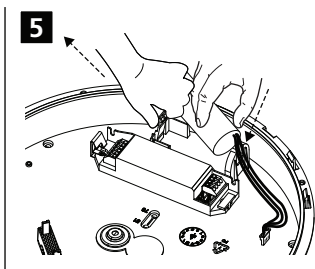
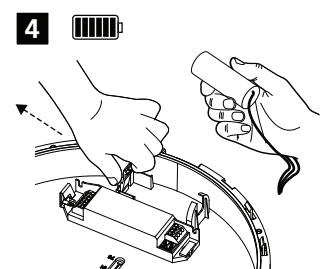
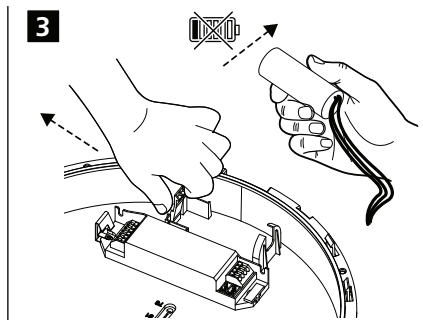
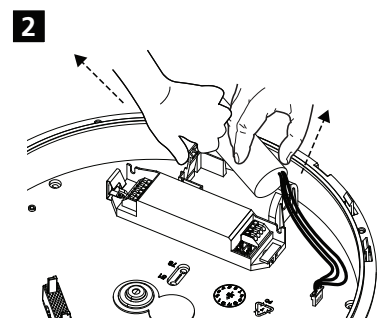
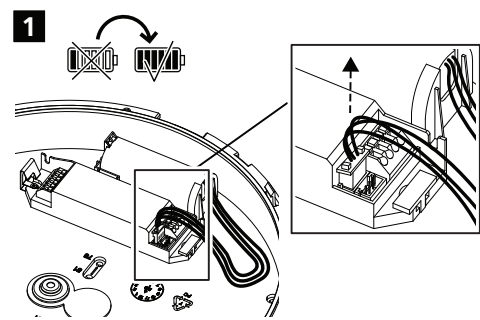
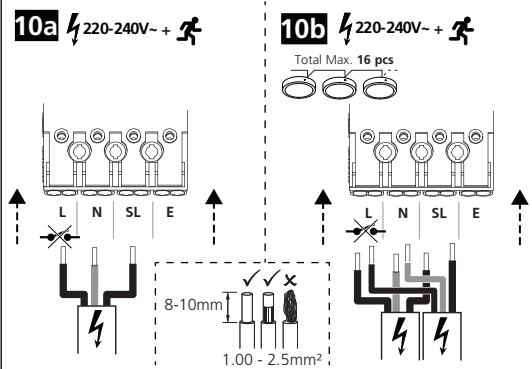
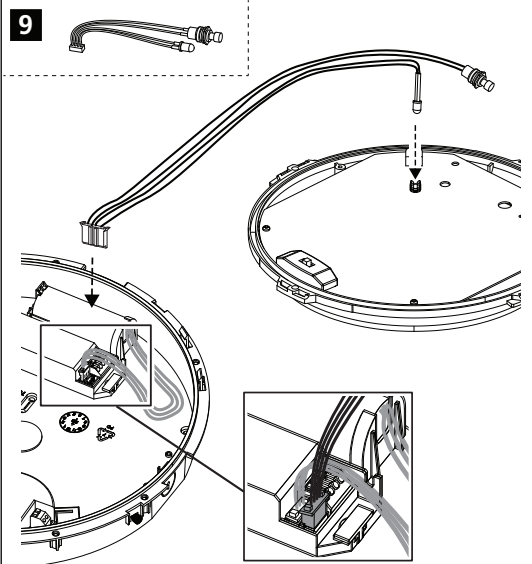
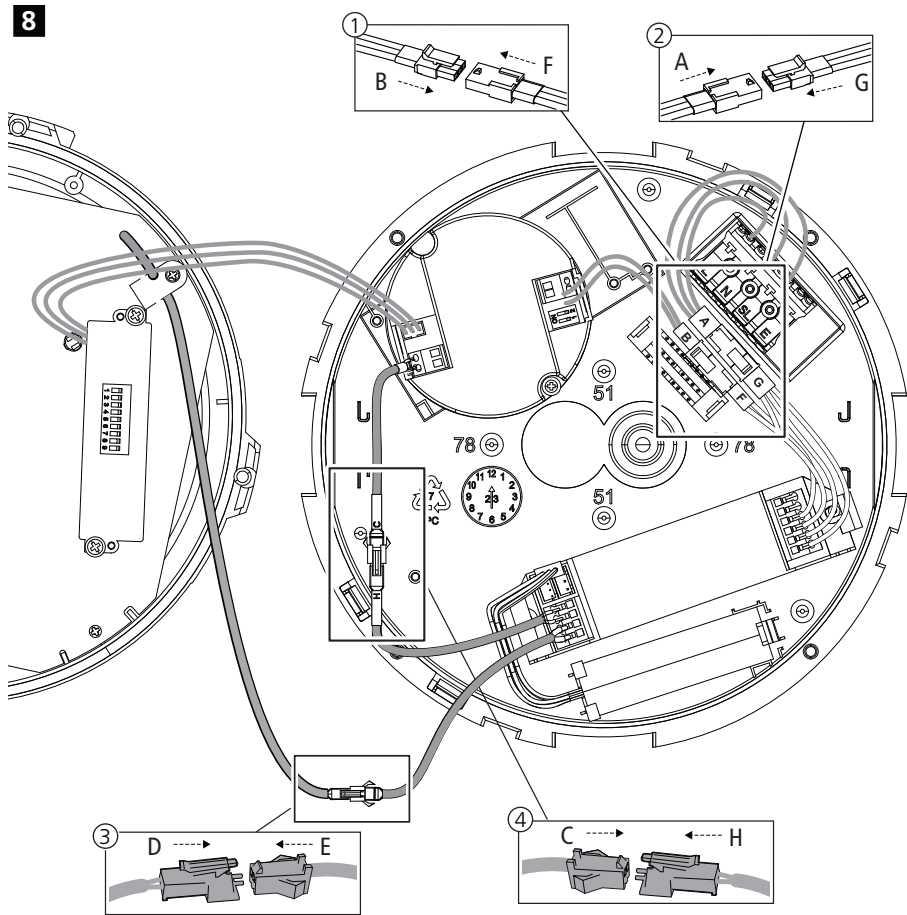
Date of Installation:

Warning: Do not disassemble, puncture, crush, heat or burn



LED INDICATION		STATUS		COMMENT
LED Colour	Status	Flashing		
		ON	OFF	
Green		∞	-	Power and System OK
		4.0 sec	1.0 sec	Battery Connected and Charging
		2.0 sec	2.0 sec	Duration Test in Progress
		0.5 sec	0.5 sec	TEST Function Test in Progress
Red		4.0 sec	1.0 sec	Battery Temperature Issue
		0.5 sec	0.5 sec	Battery Fault
		0.5 sec	0.5 sec	Low Battery
		0.5 sec	0.5 sec	Charging Fault
		0.5 sec	0.5 sec	Driver Fault
		0.5 sec	0.5 sec	Load Fault
Red&Green		-	∞	Power off





Date of Manufacture

**POWERIOD™**

LiFeP04 3.2V 3200mAh 10.24Wh  
26650 1IFpR27/66-1 L1132NW  
21010323210202  
Art. No. 28002322

Warning: Do not disassemble, puncture, crush, heat or burn

Date of Installation:

