



The new facet of LED lamps

RefLED™ Superia Retro ES50 & MR16



Sylvania's premium quality professional LED directional lamp range, with a glass retro look!

Ideal to replace traditional halogen lamps in residential, hospitality and retail applications.

The special halogen inspired faceted lens design enables the full front face of the lens to light up without any visible heatsink, replicating the classic look and feel of traditional halogen lamps.

sylvania-lighting.com

RefLED™ Superia Retro ES50



Features

- Premium performance professional LED GU10 range with the same look and feel of traditional halogen GU10 lamp
- Recreates backlight effect similar to halogen dichroic lamps
- Full glass design - means no colours clashing between lamp and fixture
- Very long lifetime of 25,000 hours
- COOLFIT functionality – ensures overheat and over temperature protection
- Switching cycles: >100,000
- High colour rendering: CRI80/ CRI90
- Available in four colour temperatures – 2700K, 3000K, 4000K and 6500K – offering customers a choice of light colour to suit their needs
- Available in dimmable and non-dimmable options*
- 5 year warranty

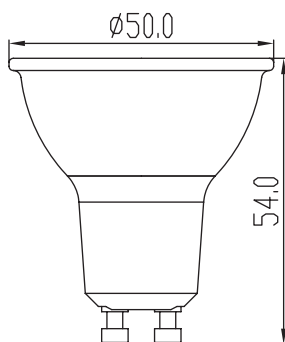


Product information

Code	Description	Voltage (V)	Power (W)	Luminous Flux (lm)	Efficiency	Colour Temp (K)	Base	Finish	Equivalent Wattage (W)	Life (h)	Candela (cd)	Dimmable (Y/N)	Energy Class	Packaging Qty
RefLED™ Superia Retro ES50 Dimmable CRI90														
0029137	RefLED Superia Retro ES50 V3 405lm DIM 927 36d SL	220-240	5	405	81	2700	GU10	Glass	55	25,000	720	Y	F	6
0029138	RefLED Superia Retro ES50 V3 405lm DIM 930 36d SL	220-240	5	405	81	3000	GU10	Glass	55	25,000	720	Y	F	6
0029139	RefLED Superia Retro ES50 V3 405lm DIM 940 36d SL	220-240	5	405	81	4000	GU10	Glass	55	25,000	720	Y	F	6
RefLED™ Superia Retro ES50 Dimmable														
0029125	RefLED Superia Retro ES50 V3 345lm DIM 827 36d SL	220-240	4.5	345	77	2700	GU10	Glass	50	25,000	700	Y	F	6
0029126	RefLED Superia Retro ES50 V3 345lm DIM 830 36d SL	220-240	4.5	345	77	3000	GU10	Glass	50	25,000	700	Y	F	6
0029127	RefLED Superia Retro ES50 V3 345lm DIM 830 36d SL5	220-240	4.5	345	77	3000	GU10	Glass	50	25,000	700	Y	F	5
0029128	RefLED Superia Retro ES50 V3 360lm DIM 840 36d SL	220-240	4.5	360	80	4000	GU10	Glass	50	25,000	750	Y	F	6
0029129	RefLED Superia Retro ES50 V3 360lm DIM 840 36d SL5	220-240	4.5	360	80	4000	GU10	Glass	50	25,000	750	Y	F	5
0029130	RefLED Superia Retro ES50 V3 360lm DIM 865 36d SL	220-240	4.5	360	100	2700	GU10	Glass	60	25,000	750	Y	F	6
0029131	RefLED Superia Retro ES50 V3 450lm DIM 827 36d SL	220-240	5	450	90	3000	GU10	Glass	60	25,000	800	Y	F	6
0029132	RefLED Superia Retro ES50 V3 450lm DIM 830 36d SL	220-240	5	450	90	3000	GU10	Glass	60	25,000	800	Y	F	6
0029133	RefLED Superia Retro ES50 V3 450lm DIM 830 36d SL5	220-240	5	450	90	3000	GU10	Glass	60	25,000	800	Y	F	5
0029134	RefLED Superia Retro ES50 V3 475lm DIM 840 36d SL	220-240	5	475	95	4000	GU10	Glass	65	25,000	860	Y	E	6
0029135	RefLED Superia Retro ES50 V3 475lm DIM 840 36d SL5	220-240	5	475	95	4000	GU10	Glass	65	25,000	860	Y	E	5
0029136	RefLED Superia Retro ES50 V3 475lm DIM 865 36d SL	220-240	5	475	95	6500	GU10	Glass	65	25,000	860	Y	E	6
0029140	RefLED Superia Retro ES50 V3 550lm DIM 827 36d SL	220-240	6	550	92	2700	GU10	Glass	75	25,000	1000	Y	F	6
0029141	RefLED Superia Retro ES50 V3 550lm DIM 830 36d SL	220-240	6	550	92	3000	GU10	Glass	75	25,000	1000	Y	F	6
0029142	RefLED Superia Retro ES50 V3 580lm DIM 840 36d SL	220-240	6	580	97	4000	GU10	Glass	80	25,000	1080	Y	E	6
0029143	RefLED Superia Retro ES50 V3 580lm DIM 865 36d SL	220-240	6	580	97	6500	GU10	Glass	80	25,000	1080	Y	E	6

*For a full list of approved dimmers, please visit our website www.sylvania-lighting.com

Dimensions (mm)



RefLED™ Superia Retro ES50



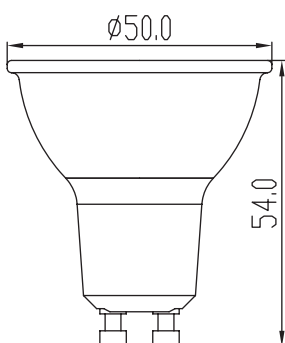
Product information

Code	Description	Voltage (V)	Power (W)	Luminous Flux (lm)	Efficiency	Colour Temp (K)	Base	Finish	Equivalent Wattage (W)	Life (h)	Candela (cd)	Dimmable (Y/N)	Energy Class	Packaging Qty
RefLED™ Superia Retro ES50 Non-dimmable														
0029101	RefLED Superia Retro ES50 V3 230lm 827 36d SL	220-240	3	230	77	2700	GU10	Glass	35	25,000	500	N	F	6
0029102	RefLED Superia Retro ES50 V3 230lm 830 36d SL	220-240	3	230	77	3000	GU10	Glass	35	25,000	500	N	F	6
0029103	RefLED Superia Retro ES50 V3 230lm 840 36d SL	220-240	3	230	77	4000	GU10	Glass	35	25,000	500	N	F	6
0029104	RefLED Superia Retro ES50 V3 230lm 865 36d SL	220-240	3	230	77	6500	GU10	Glass	35	25,000	500	N	F	6
0029105	RefLED Superia Retro ES50 V3 345lm 827 36d SL	220-240	4	345	86	2700	GU10	Glass	50	25,000	700	N	F	6
0029106	RefLED Superia Retro ES50 V3 345lm 830 36d SL	220-240	4	345	86	3000	GU10	Glass	50	25,000	700	N	F	6
0029107	RefLED Superia Retro ES50 V3 345lm 830 36d SL2	220-240	4	345	86	3000	GU10	Glass	50	25,000	700	N	F	6
0029108	RefLED Superia Retro ES50 V3 345lm 830 36d SL3	220-240	4	345	86	3000	GU10	Glass	50	25,000	700	N	F	6
0029109	RefLED Superia Retro ES50 V3 360lm 840 36d SL	220-240	4	360	90	4000	GU10	Glass	50	25,000	750	N	F	6
0029110	RefLED Superia Retro ES50 V3 360lm 840 36d SL2	220-240	4	360	90	4000	GU10	Glass	50	25,000	750	N	F	6
0029111	RefLED Superia Retro ES50 V3 360lm 840 36d SL3	220-240	4	360	90	4000	GU10	Glass	50	25,000	750	N	F	6
0029112	RefLED Superia Retro ES50 V3 360lm 865 36d SL	220-240	4	360	90	6500	GU10	Glass	50	25,000	750	N	F	6
0029113	RefLED Superia Retro ES50 V3 450lm 827 36d SL	220-240	5	450	90	2700	GU10	Glass	60	25,000	800	N	F	6
0029114	RefLED Superia Retro ES50 V3 450lm 830 36d SL	220-240	5	450	90	3000	GU10	Glass	60	25,000	800	N	F	6
0029115	RefLED Superia Retro ES50 V3 475lm 840 36d SL	220-240	5	475	95	4000	GU10	Glass	65	25,000	860	N	E	6
0029116	RefLED Superia Retro ES50 V3 475lm 865 36d SL	220-240	5	475	95	6500	GU10	Glass	65	25,000	860	N	E	6
0029117	RefLED Superia Retro ES50 V3 550lm 827 36d SL	220-240	6	550	92	2700	GU10	Glass	75	25,000	1000	N	F	6
0029118	RefLED Superia Retro ES50 V3 600lm 830 36d SL	220-240	6	600	100	3000	GU10	Glass	80	25,000	1000	N	E	6
0029119	RefLED Superia Retro ES50 V3 620lm 840 36d SL	220-240	6	620	103	4000	GU10	Glass	85	25,000	1080	N	E	6
0029120	RefLED Superia Retro ES50 V3 620lm 865 36d SL	220-240	6	620	103	6500	GU10	Glass	86	25,000	1080	N	E	6
0029121	RefLED Superia Retro ES50 V3 700lm 827 36d SL	220-240	7.3	700	96	2700	GU10	Glass	95	25,000	1300	N	E	6
0029122	RefLED Superia Retro ES50 V3 700lm 830 36d SL	220-240	7.3	700	96	3000	GU10	Glass	95	25,000	1300	N	E	6
0029123	RefLED Superia Retro ES50 V3 750lm 840 36d SL	220-240	7.3	750	103	4000	GU10	Glass	100	25,000	1300	N	E	6
0029124	RefLED Superia Retro ES50 V3 750lm 865 36d SL	220-240	7.3	750	103	6500	GU10	Glass	100	25,000	1300	N	E	6

Images



Dimensions (mm)



RefLED™ Superia Retro MR16



Features

- Premium performance professional LED MR16 range with the same look and feel of traditional halogen MR16 lamp
- Recreates backlight effect similar to halogen dichroic lamps.
- Full glass design - means no colours clashing between lamp and fixture
- Very long lifetime of up to 25,000 hours
- Power factor: 0.90
- Switching cycles: >100,000
- Colour rendering: CRI80
- Lamp voltage: 12V AC/DC
- Available in three colour temperatures – 2700K, 3000K and 4000K – offering customers a choice of light colour to suit their needs
- Dimmable*
- Works with magnetic and compatible electronic transformers*
- 5 year warranty

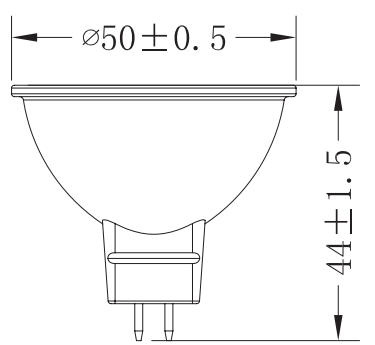


Product information

Code	Description	Voltage (V)	Power (W)	Luminous Flux (lm)	Efficiency	Colour Temp (K)	Base	Finish	Equivalent Wattage (W)	Life (h)	Candela (cd)	Dimmable (Y/N)	Energy Class	Packaging Qty	
RefLED™ Superia Retro MR16 Dimmable															
0029214	RefLED Superia Retro V2 MR16 345lm DIM 827 36° SL	12	4.4	345	78	2700	GU5.3	Glass	35	25000	800	Y	F	6	
0029215	RefLED Superia Retro V2 MR16 345lm DIM 830 36° SL	12	4.4	345	78	3000	GU5.3	Glass	35	25000	800	Y	F	6	
0029216	RefLED Superia Retro V2 MR16 380lm DIM 840 36° SL	12	4.4	380	86	4000	GU5.3	Glass	35	25000	900	Y	F	6	
0029217	RefLED Superia Retro V2 MR16 380lm DIM 865 36° SL	12	4.4	380	86	6500	GU5.3	Glass	35	25000	900	Y	F	6	
0029218	RefLED Superia Retro V2 MR16 460lm DIM 827 36° SL	12	5.8	460	79	2700	GU5.3	Glass	40	25000	1000	Y	F	6	
0029219	RefLED Superia Retro V2 MR16 460lm DIM 830 36° SL	12	5.8	460	79	3000	GU5.3	Glass	40	25000	1000	Y	F	6	
0029220	RefLED Superia Retro V2 MR16 480lm DIM 840 36° SL	12	5.8	480	83	4000	GU5.3	Glass	40	25000	1100	Y	F	6	
0029221	RefLED Superia Retro V2 MR16 480lm DIM 865 36° SL	12	5.8	480	83	6500	GU5.3	Glass	40	25000	1100	Y	F	6	
0029222	RefLED Superia Retro V2 MR16 621lm DIM 827 36° SL	12	7.5	621	83	2700	GU5.3	Glass	50	25000	1000	Y	F	6	
0029223	RefLED Superia Retro V2 MR16 621lm DIM 830 36° SL	12	7.5	621	83	3000	GU5.3	Glass	50	25000	1000	Y	F	6	
0029224	RefLED Superia Retro V2 MR16 621lm DIM 840 36° SL	12	7.5	621	83	4000	GU5.3	Glass	50	25000	1000	Y	F	6	
0029225	RefLED Superia Retro V2 MR16 621lm DIM 865 36° SL	12	7.5	621	83	6500	GU5.3	Glass	50	25000	1000	Y	F	6	

*For a full list of approved dimmers and transformers, please visit our website www.sylvania-lighting.com

Dimensions (mm)



RefLED™ Superia Retro MR16



Features

- Premium performance professional LED MR16 range with the same look and feel of traditional halogen MR16 lamp
- Recreates backlight effect similar to halogen dichroic lamps.
- Full glass design - means no colours clashing between lamp and fixture
- Very long lifetime of up to 25,000 hours
- Switching cycles: >100,000
- Colour rendering: CRI80
- Lamp voltage: 12V AC/DC
- Available in four colour temperatures – 2700K, 3000K, 4000K and 6500K – offering customers a choice of light colour to suit their needs
- Non-Dimmable
- Works with magnetic and compatible electronic transformers*
- 5 year warranty

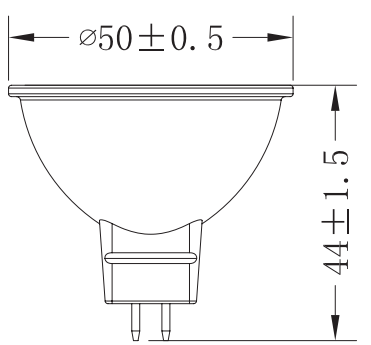


Product information

Code	Description	Voltage (V)	Power (W)	Luminous Flux (lm)	Efficiency	Colour Temp (K)	Base	Finish	Equivalent Wattage (W)	Life (h)	Candela (cd)	Dimmable (Y/N)	Energy Class	Packaging Qty
RefLED™ Superia Retro MR16 Non-Dimmable														
0029226	RefLED Superia Retro V2 MR16 345lm 827 36° SL	12	4.3	345	80	2700	GU5.3	Glass	35	25,000	600	N	F	6
0029227	RefLED Superia Retro V2 MR16 345lm 830 36° SL	12	4.3	345	80	3000	GU5.3	Glass	35	25,000	600	N	F	6
0029228	RefLED Superia Retro V2 MR16 380lm 840 36° SL	12	4.3	380	88	4000	GU5.3	Glass	35	25,000	600	N	F	6
0029229	RefLED Superia Retro V2 MR16 380lm 865 36° SL	12	4.3	380	88	6500	GU5.3	Glass	35	25,000	600	N	F	6
0029230	RefLED Superia Retro V2 MR16 460lm 830 36° SL	12	4.6	460	100	3000	GU5.3	Glass	40	25,000	900	N	F	6
0029231	RefLED Superia Retro V2 MR16 480lm 840 36° SL	12	4.6	480	104	4000	GU5.3	Glass	40	25,000	900	N	E	6
0029232	RefLED Superia Retro V2 MR16 480lm 865 36° SL	12	4.6	480	104	6500	GU5.3	Glass	40	25,000	900	N	E	6
0029233	RefLED Superia Retro V2 MR16 600lm 830 36° SL	12	6	600	100	3000	GU5.3	Glass	49	25,000	1000	N	F	6
0029234	RefLED Superia Retro V2 MR16 621lm 840 36° SL	12	6	621	104	4000	GU5.3	Glass	50	25,000	1000	N	E	6
0029235	RefLED Superia Retro V2 MR16 621lm 865 36° SL	12	6	621	104	6500	GU5.3	Glass	50	25,000	1000	N	E	6

*For a full list of approved transformers, please visit our website www.sylvania-lighting.com

Dimensions (mm)



Discover our other products

RefLED™ ES50



RefLED ES50 36°
Non-Dimmable



RefLED ES50 110°
Non-Dimmable

RefLED™ ES50 XL



Non-Dimmable

RefLED™ Retro ES111



Dimmable

RefLED™ Retro PAR



PAR16
Non-Dimmable



PAR20
Dimmable



PAR30
Dimmable



PAR38
Dimmable

RefLED™ Reflectors



R39
Non-Dimmable



R50
Non-Dimmable



R63
Non-Dimmable



R80
Non-Dimmable

RefLED™ Retro MR11



Non-Dimmable

SYLVANIA



CE UK
CA



Although every effort has been made to ensure accuracy in the compilation of the technical detail within this publication, specifications and performance data are constantly changing. Current details should therefore be checked with Feilo Sylvania International Group Kft. Copyright Feilo Sylvania International Group Kft. June 2021.

sylvania-lighting.com

A Feilo Sylvania Company