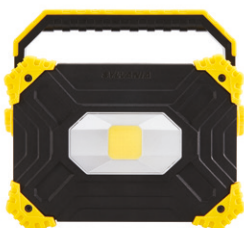
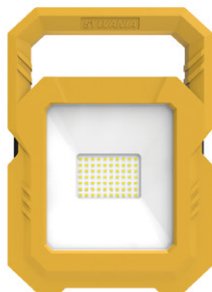




# Flexible and robust work lights for home and outdoors



## SylWork

SylWork is a range of high-performance LED mains voltage and battery-operated work flood lights, string lights, inspection lights and head lamps.

SylWork is the perfect solution to provide flexible, temporary lighting around the home for DIY activities such as home decoration, repairing household items as well as cleaning, tidying or any other maintenance tasks.

The work lights have a slim, stylish robust, high-quality plastic body and the light can be positioned where it is required. There is a choice of easy to assemble, portable and convenient stand or Tripod.

Our range of rechargeable flood lights, inspection lights and head lamps are compact and portable, with USB rechargeable options making them perfect for use at home or enjoying the outdoors.

# SylWork

## The range

### Flood Lights

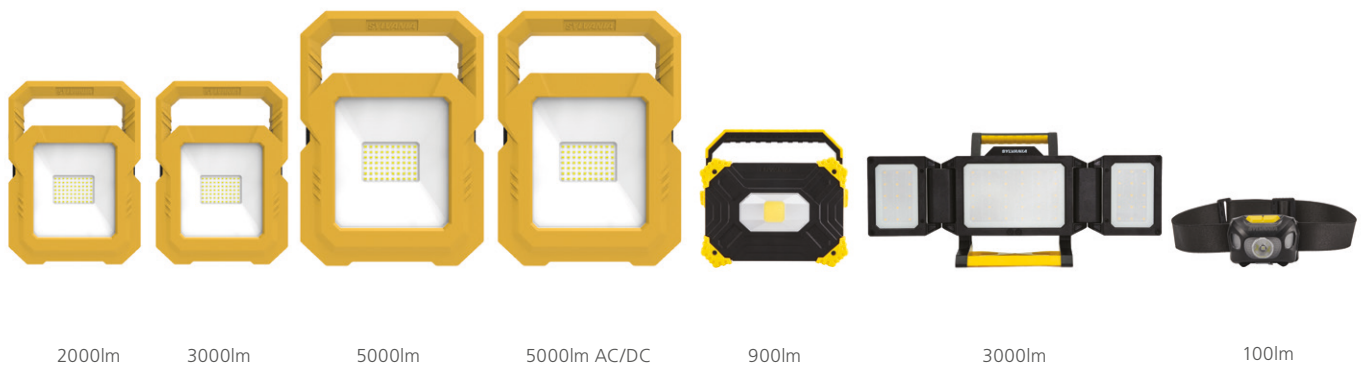
Mains or Battery Powered

### Rechargeable Flood Lights

Battery Powered

### Headlamps

Battery Powered

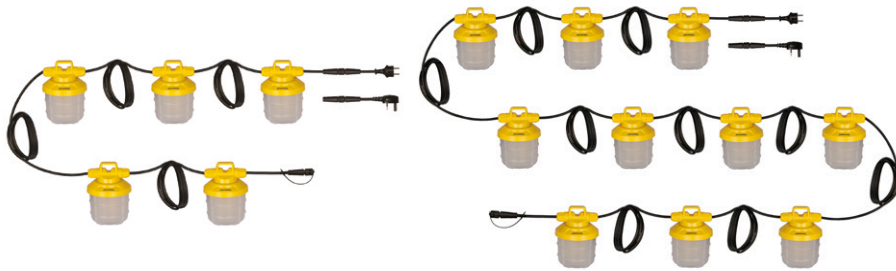


## Features

- Slim LED high lumen mains and battery operated work lights
- Lightweight, stylish, robust, high-quality plastic body
- Stable, flexible positioning
- Space-saving design - Tripod version can be folded up and stowed away
- Range including portable, rechargeable solutions can be charged by included USB cable
- Versatile use for battery operated products: Ideal for work, camping and various outdoor activities
- 4000K Cool White light, 6500K Daylight
- Lifespan: up to 30,000 hrs



**String Lights**  
Mains Powered



5000lm

10000lm

**Inspection Lights**  
Mains or Battery Powered



600lm

1600lm



# SylWork Floodlight 2000lm



## Features

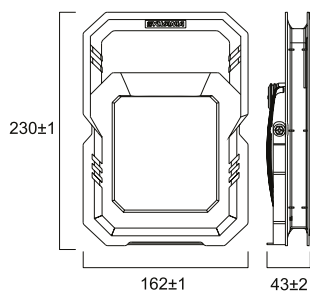
- Slim LED portable work light
- Lightweight, slim, stylish robust, high-quality plastic body
- Stable, flexible positioning with stand or Tripod
- Housing material: PC housing, glass lens and metal bracket
- Option to use 2 work lights in the same time installed on the same Tripod
- Mains operated version
- Space-saving design – Tripod version can be folded up and stowed away
- 4000K Cool White light
- Total system efficacy up to 100lm/W
- CRI >80
- Operating temperature range: -20 to +40°C
- Lifetime: 30,000 hrs (L70/B50)
- 3 year warranty



## Product information

Code	Description	Voltage (V)	Power (W)	Luminous Flux (lm)	Efficacy (lm/W)	Colour Temp (K)	Dimmable
<b>SylWork Flood Mains Version</b>							
0090004	SylWork Flood 2000LM 840 IP65	220-240	20	2000	100	4000	Yes

## Dimensions (mm)



# SylWork Floodlight 3000lm



## Features

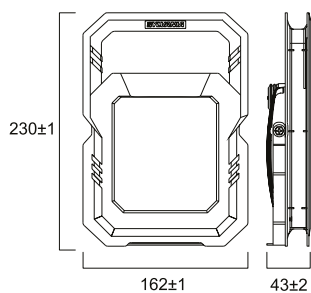
- Slim LED portable work light
- Lightweight, slim, stylish robust, high-quality plastic body
- Stable, flexible positioning with stand or Tripod
- Housing material: PC housing, glass lens and metal bracket
- Option to use 2 work lights in the same time installed on the same Tripod
- Mains operated version
- Space-saving design – Tripod version can be folded up and stowed away
- 4000K Cool White light
- Total system efficacy up to 100lm/W
- CRI >80
- Operating temperature range: -20 to +40°C
- Lifetime: 30,000 hrs (L70/B50)
- 3 year warranty



## Product information

Code	Description	Voltage (V)	Power (W)	Luminous Flux (lm)	Efficacy (lm/W)	Colour Temp (K)	Dimmable
<b>SylWork Flood Mains Version</b>							
0090003	SylWork Flood 3000LM 840 IP65	220-240	30	3000	100	4000	Yes

## Dimensions (mm)



# SylWork Floodlight 5000lm



## Features

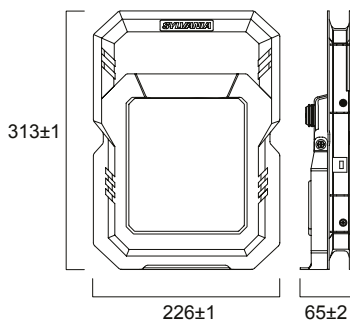
- Slim LED portable work light
- Lightweight, slim, stylish robust, high-quality plastic body
- Stable, flexible positioning with stand or Tripod
- Housing material: PC housing, glass lens and metal bracket
- Option to use 2 work lights in the same time installed on the same Tripod
- Mains operated version
- Space-saving design – Tripod version can be folded up and stowed away
- 4000K Cool White light
- Total system efficacy up to 111lm/W
- CRI >80
- Operating temperature range: -20 to +40°C
- Lifetime: 30,000 hrs (L70/B50)
- 3 year warranty



## Product information

Code	Description	Voltage (V)	Power (W)	Luminous Flux (lm)	Efficacy (lm/W)	Colour Temp (K)	Dimmable
<b>SylWork Flood Mains Version</b>							
0090002	SylWork Flood 5000LM 840 IP65	220-240	50	5000	100	4000	Yes

## Dimensions (mm)



# SylWork Floodlight 5000lm AC/DC



## Features

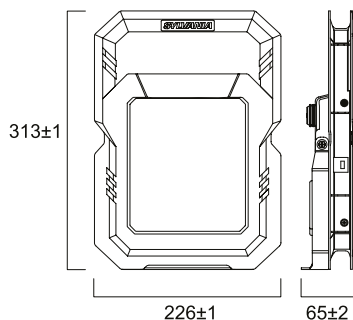
- Slim LED portable work light
- Lightweight, slim, stylish robust, high-quality plastic body
- Stable, flexible positioning with stand or Tripod
- Option to use 2 work lights in the same time installed on the same Tripod
- Battery Operation - Battery running time & Lumen output: 90 minutes @ 1200lm, 5 hours @300lm, battery charging time: 4 hours
- Space-saving design – Tripod version can be folded up and stowed away
- 4000K Cool White light
- Total system efficacy up to 111lm/W
- CRI >80
- Operating temperature range: -20 to +40°C
- Lifetime: 30,000 hrs (L70/B50)
- 3 year warranty



## Product information

Code	Description	Voltage (V)	Power (W)	Luminous Flux (lm)	Efficacy (lm/W)	Colour Temp (K)	Dimmable
<b>SylWork Flood Battery Version</b>							
0090001	SylWork Flood BP 5000LM 840 IP65	220-240	45	5000	111	4000	Yes

## Dimensions (mm)



# SylWork String Light 5000lm



## Features

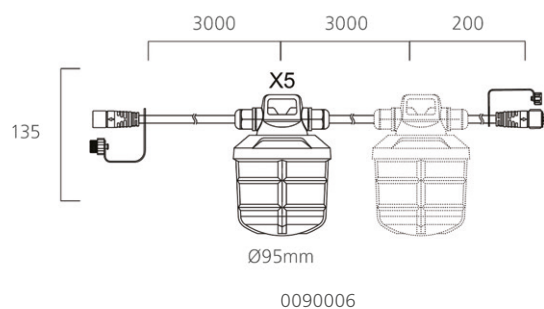
- Flexible LED string work light
- Lightweight, flexible, stylish robust, high-quality plastic cable and bulbs
- Housing material: PC
- Available in two different length – 50W (15m) & 100W (30m)
- Link up to 500W
- 4000K Cool White light
- Total system efficacy up to 83lm/W
- CRI >80
- Operating temperature range: -20 to +40°C
- Lifetime: 30,000 hrs (L70/B50)
- 3 year warranty



## Product information

Code	Description	Voltage (V)	Power (W)	Luminous Flux (lm)	Efficacy (lm/W)	Colour Temp (K)	Dimmable	Total Length (m)
<b>SylWork String Light</b>								
0090002	SylWork String Light 5000LM 840 IP65	220-240	60	5000	83	4000	No	15

## Dimensions (mm)



# SylWork String Light 10000lm



## Features

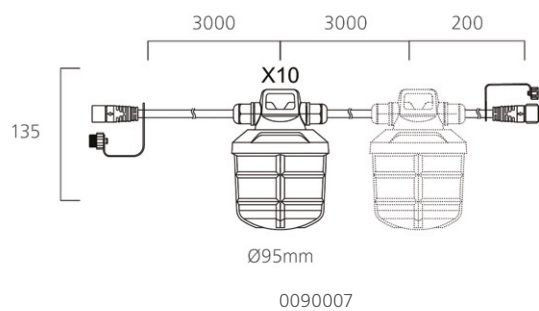
- Flexible LED string work light
- Lightweight, flexible, stylish robust, high-quality plastic cable and bulbs
- Housing material: PC
- Available in two different length – 50W (15m) & 100W (30m)
- Link up to 500W
- 4000K Cool White light
- Total system efficacy up to 83lm/W
- CRI >80
- Operating temperature range: -20 to +40°C
- Lifetime: 30,000 hrs (L70/B50)
- 3 year warranty



## Product information

Code	Description	Voltage (V)	Power (W)	Luminous Flux (lm)	Efficacy (lm/W)	Colour Temp (K)	Dimmable	Total Length (m)
<b>SylWork String Light</b>								
0090007	SylWork String Light 10000LM 840 IP65	220-240	120	10000	83	4000	No	30

## Dimensions (mm)



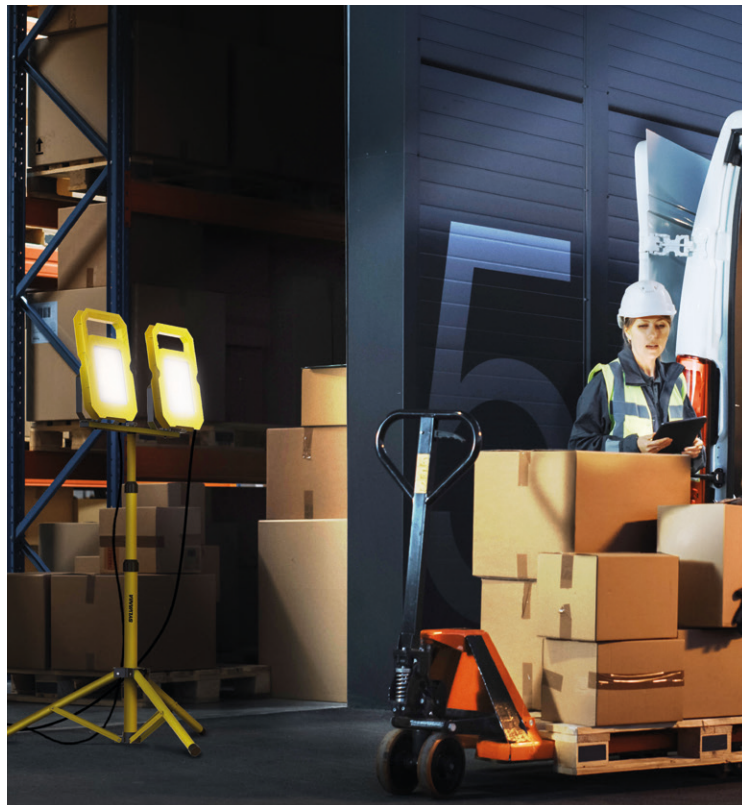
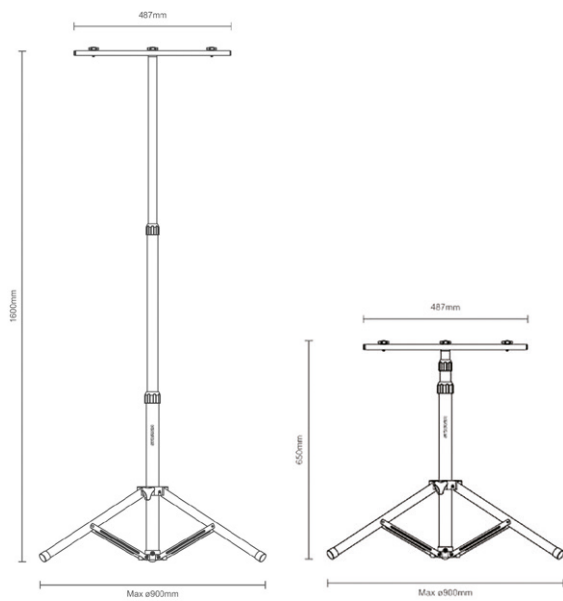
# SylWork Tripod

## Features

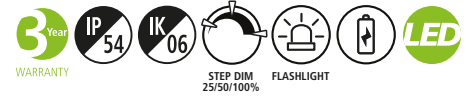
- Strong and sturdy construction
- High quality finish
- Housing colour: Black and Yellow
- Construction material: Metal
- Single or dual mounting options
- Flexible height adjustment
- Compatible with SylWork Flood and SylFlood ranges
- Space-saving design – Can be folded up and stowed away



## Dimensions (mm)



# SylWork Inspection Mini



## Features

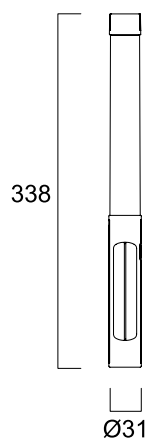
- Portable & compact battery operated inspection light
- Versatile use: Ideal for worklight applications, for camping and various outdoor activities
- Built in hook allows easy and hands-free use
- Battery Operation - Battery running time & Lumen output: 90 minutes @ 100% brightness, 3 hours @ 50% brightness, 6 hours @ 25% brightness, 2 hours @ Flashlight mode, battery charging time: 4 hours
- Easily rechargeable with the included USB cable
- Step dimmable levels: 100%, 50%, 25%
- Can be switched to Flashlight Mode providing blinking light for emergency situations ensuring visibility when it matters most
- Colour Temperature: 6500K (Daylight)
- Operating temperature range: -10 to +40°C
- Lifetime: 25,000 hrs (L70/B50)
- 3 year warranty



## Product information

Code	Description	Voltage (V DC)	Power (W)	Luminous Flux (lm)	Efficacy (lm/W)	Colour Temp (K)	Dimmable	Life (h)	Battery Rating
<b>SylWork Inspection Mini</b>									
0090202	SylWork Inspection Mini	5	9	480	53	6500	Yes	25,000	18650 5V 2200mAh Li-ion

## Dimensions (mm)



# SylWork Headlamp



## Features

- Rechargeable, battery operated headlamp
- Perfect for DIY, maintenance works, camping and outdoor activities
- Up to 100 lumen
- 6 different lighting modes
- Battery Operation - Battery running time: front spotlight - 4 hours @ 50% brightness, 2 hours @ 100% brightness, front floodlight - 8 hours @ 50% brightness, 4 hours @ 100% brightness
- Battery charging time: 4 hours
- Can be switched to Flashlight Mode providing blinking red and green light for emergency situations ensuring visibility when it matters most
- Colour Temperature: 10000K (Frost White)
- Operating temperature range: -10 to +40°C
- Lifetime: 25,000 hrs (L70/B50)
- 3 year warranty



Front Spotlight



Front Floodlight

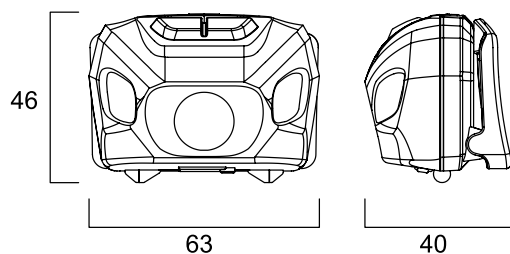


Flashlight Mode

## Product information

Code	Description	Voltage (V DC)	Power (W)	Luminous Flux (lm)	Efficacy (lm/W)	Colour Temp (K)	Dimmable	Life (h)	Battery Rating
<b>SylWork Headlamp</b>									
0090203	SylWork Headlamp	5	3	100	50	10000	Yes	25,000	103040 5V 1200mAh Li-ion

## Dimensions (mm)



# SylWork Flood Rechargeable



## Features

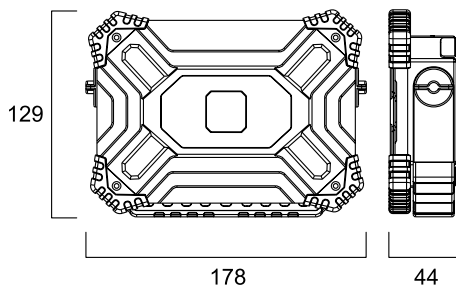
- Portable battery operated floodlight
- Versatile use: Ideal for worklight applications, for camping and various outdoor activities
- Built in hook allows easy and hand-free use
- Powerbank function for charging mobile phones
- Battery Operation - Battery running time & Lumen output: 2 hours @ 100% brightness, 4 hours @ 50% brightness, battery charging time: 4 hours
- Easily rechargeable with the included USB cable
- Step dimmable levels: 100%, 50%
- Colour Temperature: 4000K (Cool White)
- Operating temperature range: -10 to +35°C
- Lifetime: 30,000 hrs (L70/B50)
- 3 year warranty



## Product information

Code	Description	Voltage (V DC)	Power (W)	Luminous Flux (lm)	Efficacy (lm/W)	Colour Temp (K)	Dimmable	Life (h)	Battery Rating
<b>SylWork Flood Rechargeable</b>									
0090204	SylWork Flood Rechargeable	5	10	900	90	4000	Yes	30,000	18650 3.7V 4400mAh Li-ion

## Dimensions (mm)



# SylWork Flood Rechargeable Duo



## Features

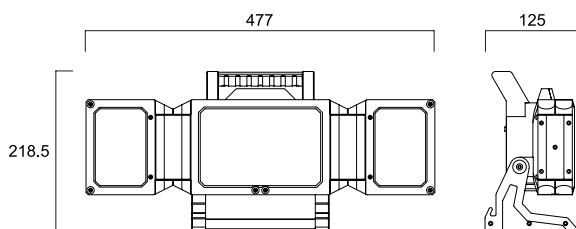
- Portable battery operated floodlight with tiltable heads
- Versatile use: Ideal for worklight applications, for camping and various outdoor activities
- High lumen output: 3000lm
- Battery Operation - Battery running time & Lumen output: 2 hours @ 3000lm, 4 hours @ 1500lm, battery charging time: 4 hours
- Easily rechargeable with the included USB cable
- Step dimmable levels: 100%, 50%
- Colour Temperature: 4000K (Cool White)
- Operating temperature range: -10 to +35°C
- Lifetime: 25,000 hrs (L70/B50)
- 3 year warranty



## Product information

Code	Description	Voltage (V DC)	Power (W)	Luminous Flux (lm)	Efficacy (lm/W)	Colour Temp (K)	Dimmable	Life (h)	Battery Rating
<b>SylWork Flood Rechargeable Duo</b>									
0090205	SylWork Flood Rechargeable Duo	5	30	3000	100	4000	Yes	25,000	18650 3.7V 6600mAh Li-ion

## Dimensions (mm)



# SylWork Inspection



## Features

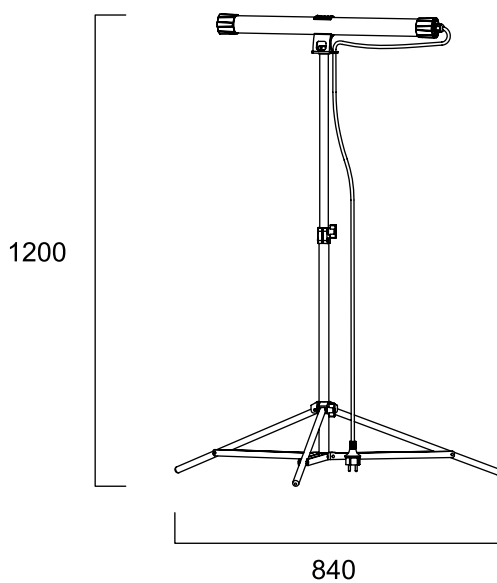
- Robust inspection light with metal tripod
- Ideal for repair and maintenance activities
- Hook allows easy and hands-free use
- Flexible height adjustment
- Colour Temperature: 6500K (Daylight)
- Operating temperature range: -20 to +40°C
- Lifetime: 30,000 hrs (L70/B50)
- 3 year warranty



## Product information

Code	Description	Voltage (V DC)	Power (W)	Luminous Flux (lm)	Efficacy (lm/W)	Colour Temp (K)	Dimmable	Life (h)
<b>SylWork Inspection</b>								
0090206	SylWork Inspection	220-240	20	1600	105	6500	No	25,000

## Dimensions (mm)



# SYLVANIA



CE UK  
CA

in f  

Although every effort has been made to ensure accuracy in the compilation of the technical detail within this publication, specifications and performance data are constantly changing. Current details should therefore be checked with Feilo Sylvania International Group Kft.

Copyright Feilo Sylvania International Group Kft. April 2025

[sylvania-group.com](http://sylvania-group.com)

A Feilo Sylvania Company