



The synergy of versatility and modularity

Otao Linear

The Otao Linear is the Sylvania's new proposal to those customers who look for a sleek, modular LED lighting system designed for offices or retail environments. Depending on the application, this highly adaptable solution can be mounted either standalone or as a continuous, uniform line of light.

The product can be mounted in several ways: ceiling and wall surface-mounted, suspended or ceiling recessed, making it a versatile choice for any design need.

The modularity of the product is almost endless, only the user's imagination can set the limits. All versions are finished in elegant white (RAL9003) or black (RAL9011), ensuring a clean, modern aesthetic that complements any interior design. With its high efficacy of up to 152 lm/W, impressive lifespan over 100,000 hours at L80B50 and reliable performance certified by ENEC, the Otao Linear is the perfect choice for those seeking efficient and stylish lighting solutions.



OTAO Linear



Modular and highly efficient linear range for office and retail applications with several optical and mounting options. The design combines 50mm narrow extruded aluminium profile with several different optical choices to provide the maximum light comfort and efficacy to the customer.

Features

- IP20 ingress protection and IK03 impact protection
- CRI >80 4000/3000K multi CCT light sources with switch button on top of the luminaire
- CCT and Power options with buttons on the top of the luminaires for switching between either the CCTs or direct and D/I light distribution (2-2 power levels for 1147mm / 1-1 power levels for 1432mm)
- Replaceable non-dimmable or DALI Class I linear driver
- Luminaires delivered with through wiring
- Luminaire length options: 1147mm and 1432mm
- Up to 152lm/W efficacy @ 4000K CCT
- More optical choices – different UGR levels:
 - Opal diffuser (UGR<28),
 - Prismatic diffuser + lens (UGR<19),
 - Lens combined with white/black/matte silver finishing reflector (UGR<19)
- Several plug and play accessories:
 - Self-test EM non-dimmable and EM DALI addressable module with LiFePO4 battery
 - SylSmart® Connected (SSA03) module
 - L, T and X shape connector units with PCBs and opal or prismatic diffuser
 - L, T and X shape non-lit corner units with plain metal cover
- Separate indirect modules (3 options) as per standard luminaire optical choices with magnetic mounting and pin electrical connection – provides 70/30% D/I light distribution ratio
- Mounting accessories:
 - surface brackets are shipped with the luminaire
 - wall mounting kit
 - suspension kit
 - ceiling rose with 2m cable
 - recessed frame for standalone mounting of 1147mm length
- 30m long opal rolled diffuser
- White (RAL9003) and black (RAL9011) product finishing
- +100k hours L80B50 lifespan

Product information

Code	Description	Light distribution	Dimmable	Control Technology	Colour Temp [K]	Luminous Flux 4000K / 3000K [lm]	Default fixture power [W]	Efficacy 4000K / 3000K [lm/W]	Length [mm]	CRI	UGR
Opal Diffuser											
White (RAL9003) Finishing											
0041800	OTAO LINEAR 1.2 OPAL 830/840 MP WH		-	-							
0041801	OTAO LINEAR 1.2 OPAL 830/840 DALI WH	Direct	Yes	DALI	3000/4000	3100/3250	26	119/125	1,147		
0041832	OTAO LINEAR 1.5 OPAL 830/840 DALI WH		Yes	DALI		3400/3600	28	121/129	1,432	>80	<28
0041800	OTAO LINEAR 1.2 OPAL 830/840 MP WH	Direct / Indirect	-	-							
0041801	OTAO LINEAR 1.2 OPAL 830/840 DALI WH	[+0041815]	Yes	DALI	3000/4000	4500/4850	39	115/124	1,147		
0041832	OTAO LINEAR 1.5 OPAL 830/840 DALI WH		Yes	DALI		4700/4900	39	121/126	1,432		
Black (RAL9011) Finishing											
0040800	OTAO LINEAR 1.2 OPAL 830/840 MP BK		-	-							
0040801	OTAO LINEAR 1.2 OPAL 830/840 DALI BK	Direct	Yes	DALI	3000/4000	2750/2900	26	106/112	1,147		
0040832	OTAO LINEAR 1.5 OPAL 830/840 DALI BK		Yes	DALI		3200/3300	28	114/118	1,432	>80	<28
0040800	OTAO LINEAR 1.2 OPAL 830/840 MP BK	Direct / Indirect	-	-							
0040801	OTAO LINEAR 1.2 OPAL 830/840 DALI BK	[+0041815]	Yes	DALI	3000/4000	4300/4600	39	110/118	1,147		
0040832	OTAO LINEAR 1.5 OPAL 830/840 DALI BK		Yes	DALI		4300/4500	39	110/115	1,432		
Indirect Module											
0041815	OTAO LINEAR INDIRECT MOD OPAL	Indirect	-	-	3000/4000	1250/1400	11	127/114	732	>80	<28
Prismatic Diffuser + Lens											
White (RAL9003) Finishing											
0041873	OTAO LINEAR 1.2 PRIS 830/840 MP WH		-	-							
0041874	OTAO LINEAR 1.2 PRIS 830/840 DALI WH	Direct	Yes	DALI	3000/4000	3200/3350	24	133/140	1,147		
0041833	OTAO LINEAR 1.5 PRIS 830/840 DALI WH		Yes	DALI		3700/3900	27	137/144	1,432	>80	<19
0041873	OTAO LINEAR 1.2 PRIS 830/840 MP WH	Direct / Indirect	-	-							
0041874	OTAO LINEAR 1.2 PRIS 830/840 DALI WH	[+0041813]	Yes	DALI	3000/4000	4550/4850	36	126/135	1,147		
0041833	OTAO LINEAR 1.5 PRIS 830/840 DALI WH		Yes	DALI		5100/5350	39	131/137	1,432		
Black (RAL9011) Finishing											
0040873	OTAO LINEAR 1.2 PRIS 830/840 MP BK		-	-							
0040874	OTAO LINEAR 1.2 PRIS 830/840 DALI BK	Direct	Yes	DALI	3000/4000	3200/3350	24	133/140	1,147		
0040833	OTAO LINEAR 1.5 PRIS 830/840 DALI BK		Yes	DALI		3700/3900	27	137/144	1,432	>80	<19
0040873	OTAO LINEAR 1.2 PRIS 830/840 MP BK	Direct / Indirect	-	-							
0040874	OTAO LINEAR 1.2 PRIS 830/840 DALI BK	[+0041813]	Yes	DALI	3000/4000	4550/4850	36	126/135	1,147		
0040833	OTAO LINEAR 1.5 PRIS 830/840 DALI BK		Yes	DALI		5100/5350	39	131/137	1,432		
Indirect Module											
0041813	OTAO LINEAR INDIRECT MOD PRIS	Indirect	-	-	3000/4000	1300/1350	10	130/135	732	>80	<28

Product information

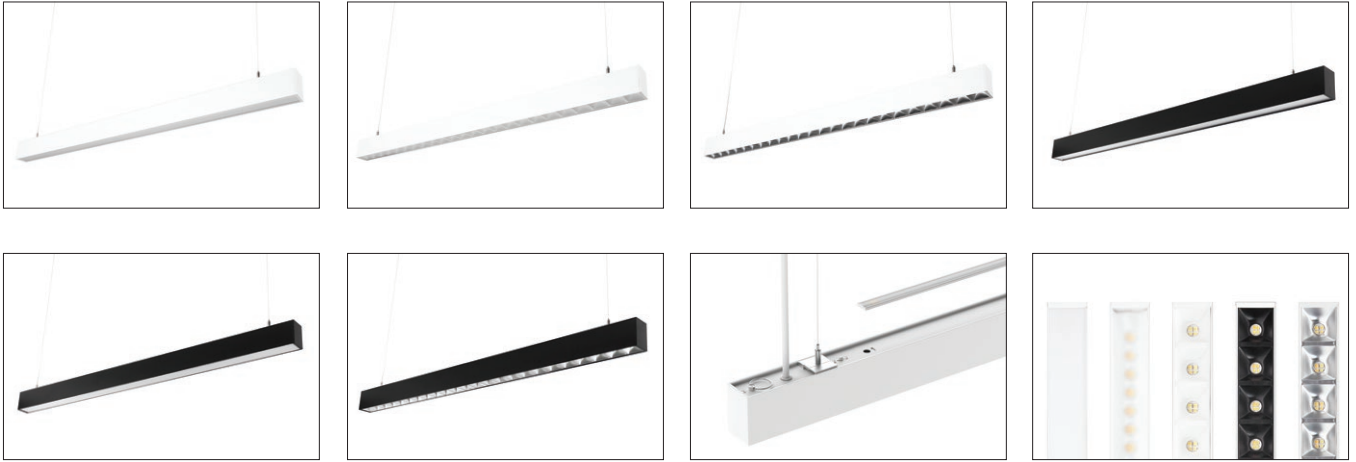
Code	Description	Light distribution	Dimmable	Control Technology	Colour Temp [K]	Luminous Flux 4000K / 3000K [lm]	Default fixture power [W]	Efficacy 4000K / 3000K [lm/W]	Length [mm]	CRI	UGR
Reflector White											
White (RAL9003) Finishing											
0041804	OTAO LINEAR 1.2 REF WHT 830/840 MP WH		-	-							
0041805	OTAO LINEAR 1.2 REF WHT 830/840 DALI WH	Direct	Yes	DALI	3000/4000	3400/3500	24	142/146	1,147		
0041834	OTAO LINEAR 1.5 REF WHT 830/840 DALI WH		Yes	DALI		3900/4100	27	144/152	1,432	>80	<19
0041804	OTAO LINEAR 1.2 REF WHT 830/840 MP WH	Direct / Indirect	-	-		4850/5050	36	135/140	1,147		
0041805	OTAO LINEAR 1.2 REF WHT 830/840 DALI WH	Indirect	Yes	DALI	3000/4000						
0041834*	OTAO LINEAR 1.5 REF WHT 830/840 DALI WH	[+0041814]	Yes	DALI		5400/5700	39	138/146	1,432		
Black (RAL9011) Finishing											
0040804	OTAO LINEAR 1.2 REF WHT 830/840 MP BK		-	-							
0040805	OTAO LINEAR 1.2 REF WHT 830/840 DALI BK	Direct	Yes	DALI	3000/4000	3400/3500	24	142/146	1,147		
0040834	OTAO LINEAR 1.5 REF WHT 830/840 DALI BK		Yes	DALI		3900/4100	27	144/152	1,432	>80	<19
0040804	OTAO LINEAR 1.2 REF WHT 830/840 MP BK	Direct / Indirect	-	-		4850/5050	36	135/140	1,147		
0040805	OTAO LINEAR 1.2 REF WHT 830/840 DALI BK	Indirect	Yes	DALI	3000/4000						
0040834*	OTAO LINEAR 1.5 REF WHT 830/840 DALI BK	[+0041814]	Yes	DALI		5400/5700	39	138/146	1,432		
Indirect Module											
0041814	OTAO LINEAR INDIRECT MOD REF	Indirect	-	-	3000/4000	1300/1400	10	130/140	732	>80	<28
Reflector Black											
White (RAL9003) Finishing											
0041823	OTAO LINEAR 1.2 REF BLK 830/840 MP WH		-	-							
0041824	OTAO LINEAR 1.2 REF BLK 830/840 DALI WH	Direct	Yes	DALI	3000/4000	3200/3350	24	133/140	1,147		
0041835	OTAO LINEAR 1.5 REF BLK 830/840 DALI WH		Yes	DALI		3700/3900	27	137/140	1,432	>80	<19
0041823	OTAO LINEAR 1.2 REF BLK 830/840 MP WH	Direct / Indirect	-	-		4650/4900	36	129/136	1,147		
0041824	OTAO LINEAR 1.2 REF BLK 830/840 DALI WH	Indirect	Yes	DALI	3000/4000						
0041835	OTAO LINEAR 1.5 REF BLK 830/840 DALI WH	[+0041814]	Yes	DALI		5100/5400	39	131/138	1,432		
Black (RAL9011) Finishing											
0040823	OTAO LINEAR 1.2 REF BLK 830/840 MP BK		-	-							
0040824	OTAO LINEAR 1.2 REF BLK 830/840 DALI BK	Direct	Yes	DALI	3000/4000	3200/3350	24	133/140	1,147		
0040835	OTAO LINEAR 1.5 REF BLK 830/840 DALI BK		Yes	DALI		3700/3900	27	137/140	1,432	>80	<19
0040823	OTAO LINEAR 1.2 REF BLK 830/840 MP BK	Direct / Indirect	-	-		4650/4900	36	129/136	1,147		
0040824	OTAO LINEAR 1.2 REF BLK 830/840 DALI BK	Indirect	Yes	DALI	3000/4000						
0040835*	OTAO LINEAR 1.5 REF BLK 830/840 DALI BK	[+0041814]	Yes	DALI		5100/5400	39	131/138	1,432		
Indirect Module											
0041814	OTAO LINEAR INDIRECT MOD REF	Indirect	-	-	3000/4000	1300/1400	10	130/140	732	>80	<28
Reflector Silver											
Direct Light Distribution*											
0041825	OTAO LINEAR 1.2 REF SIL 830/840 MP WH		-	-							
0041826	OTAO LINEAR 1.2 REF SIL 830/840 DALI WH	Direct	Yes	DALI	3000/4000	3400/3500	24	142/146	1,147		
0041836	OTAO LINEAR 1.5 REF SIL 830/840 DALI WH		Yes	DALI		3900/4100	27	144/152	1,432	>80	<19
0041825	OTAO LINEAR 1.2 REF SIL 830/840 MP WH	Direct / Indirect	-	-		4850/5050	36	135/140	1,147		
0041826	OTAO LINEAR 1.2 REF SIL 830/840 DALI WH	Indirect	Yes	DALI	3000/4000						
0041836*	OTAO LINEAR 1.5 REF SIL 830/840 DALI WH	[+0041814]	Yes	DALI		5400/5700	39	138/146	1,432		
Direct/Indirect Light Distribution											
0040825	OTAO LINEAR 1.2 REF SIL 830/840 MP BK		-	-							
0040826	OTAO LINEAR 1.2 REF SIL 830/840 DALI BK	Direct	Yes	DALI	3000/4000	3400/3500	24	142/146	1,147		
0040836	OTAO LINEAR 1.5 REF SIL 830/840 DALI BK		Yes	DALI		3900/4100	27	144/152	1,432	>80	<19
0040825	OTAO LINEAR 1.2 REF SIL 830/840 MP BK	Direct / Indirect	-	-		4850/5050	36	135/140	1,147		
0040826	OTAO LINEAR 1.2 REF SIL 830/840 DALI BK	Indirect	Yes	DALI	3000/4000						
0040836*	OTAO LINEAR 1.5 REF SIL 830/840 DALI BK	[+0041814]	Yes	DALI		5400/5700	39	138/146	1,432		
Indirect Module											
0041814	OTAO LINEAR INDIRECT MOD REF	Indirect	-	-	3000/4000	1300/1400	10	130/140	732	>80	<28

*Items available only upon request with a minimum quantity ordered. Please contact your sales representative.

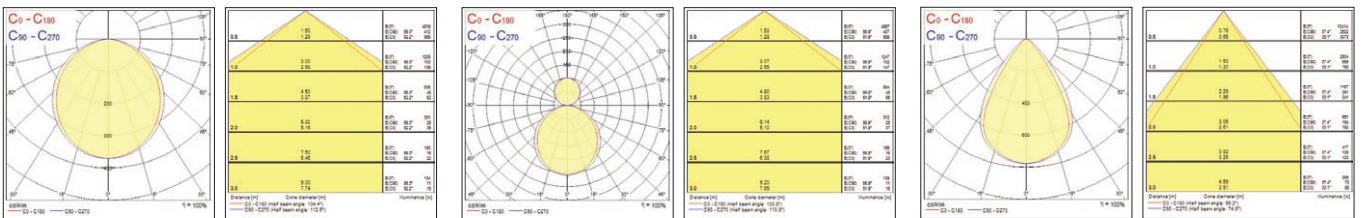
OTAO Linear



Additional images



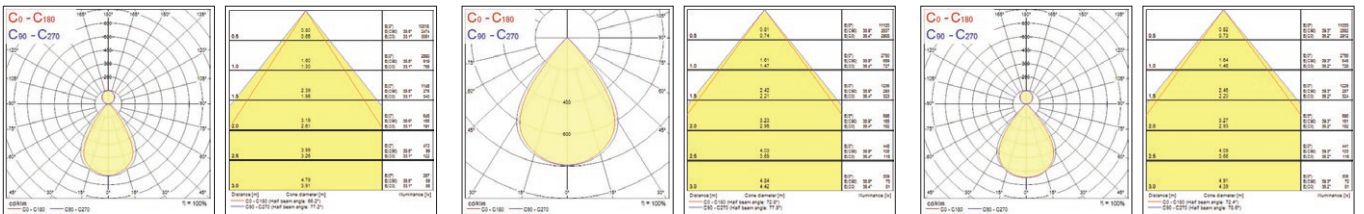
Photometric Data



Opal Direct

Opal Direct/Indirect

Prismatic Direct

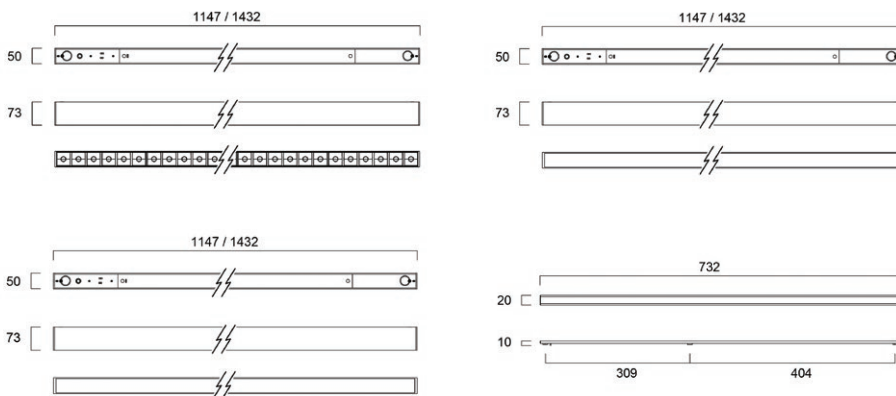


Prismatic Direct/Indirect

Reflector Direct

Reflector Direct/Indirect

Dimensions (mm) - Luminaires



OTAO Linear



Otao Linear Wall Mounted



Otao Linear Suspended

Accessories

Code	Description	Comments
Electrical Accessories		
0041809	OTAO LINEAR CORN-L OPAL 830/840 WH	L-shape connection unit w/o driver, incl PCB, Opal Diffuser, white (RAL9003) finishing, with 2x straight connectors + spare electrical connectors (2pcs)
0041810	OTAO LINEAR CORN-T OPAL 830/840 WH	T-shape connection unit w/o driver, incl PCB, Opal Diffuser, white (RAL9003) finishing, with 3x straight connectors + spare electrical connectors (3pcs)
0041811	OTAO LINEAR CORN-X OPAL 830/840 WH	X-shape connection unit w/o driver, incl PCB, Opal Diffuser, white (RAL9003) finishing, with 4x straight connectors + spare electrical connectors (4pcs)
0040809	OTAO LINEAR CORN-L OPAL 830/840 BK	L-shape connection unit w/o driver, incl PCB, Opal Diffuser, black (RAL9011) finishing, with 2x straight connectors + spare electrical connectors (2pcs)
0040810	OTAO LINEAR CORN-T OPAL 830/840 BK	T-shape connection unit w/o driver, incl PCB, Opal Diffuser, black (RAL9011) finishing, with 3x straight connectors + spare electrical connectors (3pcs)
0040811	OTAO LINEAR CORN-X OPAL 830/840 BK	X-shape connection unit w/o driver, incl PCB, Opal Diffuser, black (RAL9011) finishing, with 4x straight connectors + spare electrical connectors (4pcs)
0041790	OTAO LINEAR CORN-L PRIS 830/840 WH	L-shape connection unit w/o driver, incl PCB, Prismatic Diffuser, white (RAL9003) finishing, with 2x straight connectors + spare electrical connectors (2pcs)
0041791*	OTAO LINEAR CORN-T PRIS 830/840 WH	T-shape connection unit w/o driver, incl PCB, Prismatic Diffuser, white (RAL9003) finishing, with 3x straight connectors + spare electrical connectors (3pcs)
0041792*	OTAO LINEAR CORN-X PRIS 830/840 WH	X-shape connection unit w/o driver, incl PCB, Prismatic Diffuser, white (RAL9003) finishing, with 4x straight connectors + spare electrical connectors (4pcs)
0040790	OTAO LINEAR CORN-L PRIS 830/840 BK	L-shape connection unit w/o driver, incl PCB, Prismatic Diffuser, black (RAL9011) finishing, with 2x straight connectors + spare electrical connectors (2pcs)
0040791*	OTAO LINEAR CORN-T PRIS 830/840 BK	T-shape connection unit w/o driver, incl PCB, Prismatic Diffuser, black (RAL9011) finishing, with 3x straight connectors + spare electrical connectors (3pcs)
0040792*	OTAO LINEAR CORN-X PRIS 830/840 BK	X-shape connection unit w/o driver, incl PCB, Prismatic Diffuser, black (RAL9011) finishing, with 4x straight connectors + spare electrical connectors (4pcs)
0041793*	OTAO LINEAR CORN-L DUMMY WH	L-shape connection unit w/o driver, w/o PCB, PC cover plate, white (RAL9003) finishing, with 2x straight connectors
0041794*	OTAO LINEAR CORN-T DUMMY WH	T-shape connection unit w/o driver, w/o PCB, PC cover plate, white (RAL9003) finishing, with 3x straight connectors
0041795*	OTAO LINEAR CORN-X DUMMY WH	X-shape connection unit w/o driver, w/o PCB, PC cover plate, white (RAL9003) finishing, with 4x straight connectors
0040793*	OTAO LINEAR CORN-L DUMMY BK	L-shape connection unit w/o driver, w/o PCB, PC cover plate, black (RAL9011) finishing, with 2x straight connectors
0040794*	OTAO LINEAR CORN-T DUMMY BK	T-shape connection unit w/o driver, w/o PCB, PC cover plate, black (RAL9011) finishing, with 3x straight connectors
0040795*	OTAO LINEAR CORN-X DUMMY BK	X-shape connection unit w/o driver, w/o PCB, PC cover plate, black (RAL9011) finishing, with 4x straight connectors
0041812	OTAO LINEAR SSA03 MODULE WH	SSA module with cylindrical sensor, DALI PS, 2x ALU extrusion for mechanical connection + electrical wiring, white (RAL9003)
0041872	OTAO LINEAR SSA04 MODULE WH	SSA module with cylindrical sensor, DALI PS, 2x ALU extrusion for mechanical connection + electrical wiring, white (RAL9003)
0040812	OTAO LINEAR SSA03 MODULE BK	SSA module with Zhaga 20 rectangular sensor, DALI PS, 2x ALU extrusion for mechanical connection + electrical wiring, black (RAL9011)
0040872	OTAO LINEAR SSA04 MODULE BK	SSA module with Zhaga 20 rectangular sensor, DALI PS, 2x ALU extrusion for mechanical connection + electrical wiring, black (RAL9011)
0041827	OTAO LINEAR ST EM MODULE WH	Self-Test emergency module, LiFePO4 battery, 2x ALU extrusion for mechanical connection + electrical wiring, white (RAL9003)
0040827	OTAO LINEAR ST EM MODULE BK	Self-Test emergency module, LiFePO4 battery, 2x ALU extrusion for mechanical connection + electrical wiring, black (RAL9011)
0041822	OTAO LINEAR ST EMPRO MODULE WH	Self-Test emergency module with DALI function, LiFePO4 battery, 2x ALU extrusion for mechanical connection + electrical wiring, white (RAL9003)
0040822	OTAO LINEAR ST EMPRO MODULE BK	Self-Test emergency module with DALI function, LiFePO4 battery, 2x ALU extrusion for mechanical connection + electrical wiring, black (RAL9011)
0041818	OTAO LINEAR CEILING ROSE WH 5-PIN	Ceiling rose for electrical supply on/off and DALI luminaires incl 5-pin terminal and 2.0m long wire, white (RAL9003)
0040818	OTAO LINEAR CEILING ROSE BK 5-PIN	Ceiling rose for electrical supply on/off and DALI luminaires incl 5-pin terminal and 2.0m long wire, black (RAL9011)
0041828	OTAO LINEAR CEILING ROSE WH 6-PIN	Ceiling rose for electrical supply DALI EM luminaires incl 6-pin terminal and 2.0m long wire, white (RAL9003)
0040828	OTAO LINEAR CEILING ROSE BK 6-PIN	Ceiling rose for electrical supply DALI EM luminaires incl 6-pin terminal and 2.0m long wire, black (RAL9011)
Optical Accessories		
0041815	OTAO LINEAR INDIRECT MOD OPAL	Up-light module for luminaires with Opal Diffuser
0041813	OTAO LINEAR INDIRECT MOD PRIS	Up-light module for luminaires with Clear Diffuser + lenses
0041814	OTAO LINEAR INDIRECT MOD REF	Up-light module for luminaires with Reflector
0041806	OTAO LINEAR REF WHT 4PCS	Reflector replacement spare part with LEDs - white finishing (4pcs per pack = 1 luminaire)
0041807	OTAO LINEAR REF BLK 4PCS	Reflector replacement spare part with LEDs - black finishing (4pcs per pack = 1 luminaire)
0041808	OTAO LINEAR REF SIL 4PCS	Reflector replacement spare part with LEDs - silver finishing (4pcs per pack = 1 luminaire)
Mechanical Accessories		
0041816	OTAO LINEAR WALL MOUNTING KIT	2 pcs of L shape steel mounting bracket for mounting of 1 luminaire
0041819	OTAO LINEAR SUSPENSION KIT	2 pcs of steel of 1.5m long of suspension cables for pendant mounting of 1 luminaire
0041820	OTAO LINEAR FAST CONNECTOR	Mechanical connector to build continuous line of luminaires (1pce)
0041821	OTAO LINEAR OPAL ROLLED DIFF 30M	Diffuser to build seamless continuous line for luminaires with Opal diffuser
0041829	OTAO LINEAR RECESSED FRAME WH	Recessed mounting frame with trim, 1.2m length, white (RAL9003)
0040829	OTAO LINEAR RECESSED FRAME BK	Recessed mounting frame with trim, 1.2m length, black (RAL9011)
0041831	OTAO LINEAR 0.170 DUMMY WH	Mounting accessory to connect luminaires, length 170mm, white (RAL9003) finishing, no through wiring, 2 mechanical connectors included
0040831	OTAO LINEAR 0.170 DUMMY BK	Mounting accessory to connect luminaires, length 170mm, black (RAL9011) finishing, no through wiring, 2 mechanical connectors included
0041830	OTAO LINEAR 1.2 DUMMY + TW WH	Mounting accessory to connect luminaires, length 1140mm, white (RAL9003) finishing, through wiring included, fast connectors (0041820) to be ordered separately
0040830	OTAO LINEAR 1.2 DUMMY + TW BK	Mounting accessory to connect luminaires, length 1140mm, black (RAL9011) finishing, through wiring included, fast connectors (0041820) to be ordered separately

*Items available only upon request with a minimum quantity ordered. Please contact your sales representative.

Additional images

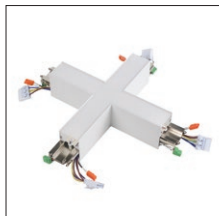
Electrical Accessories



0041809



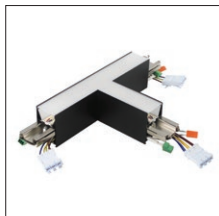
0041810



0041811



0040809



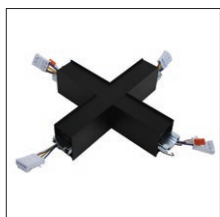
0040810



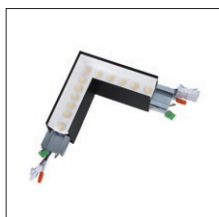
0040811



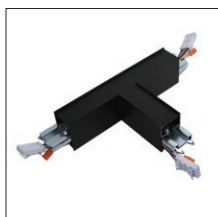
0040793



0040795



0040790



0040794



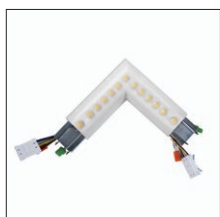
0041795



0041792



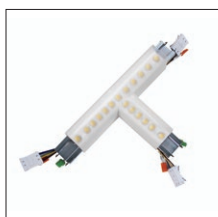
0041794



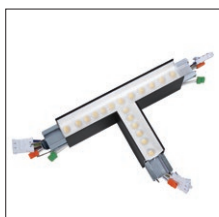
0041790



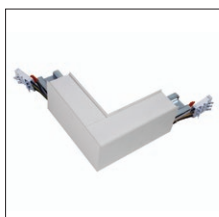
0040792



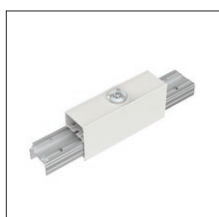
0041791



0040791



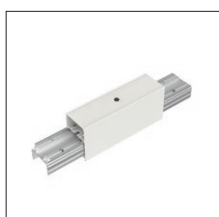
0041793



0041812



0040812



0041822



0040822



0041818



0040818



0040872



0041872

OTAO Linear



Optical Accessories



0041813 / 0041814 / 0041815



0041806



0041807



0041808

Mechanical Accessories



0041816



0041819



0041820



0041821



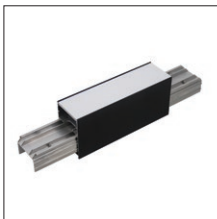
0041829



0040829



0041831



0040831

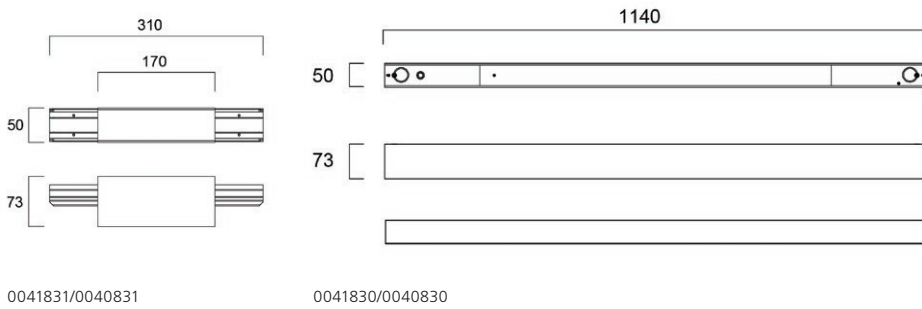
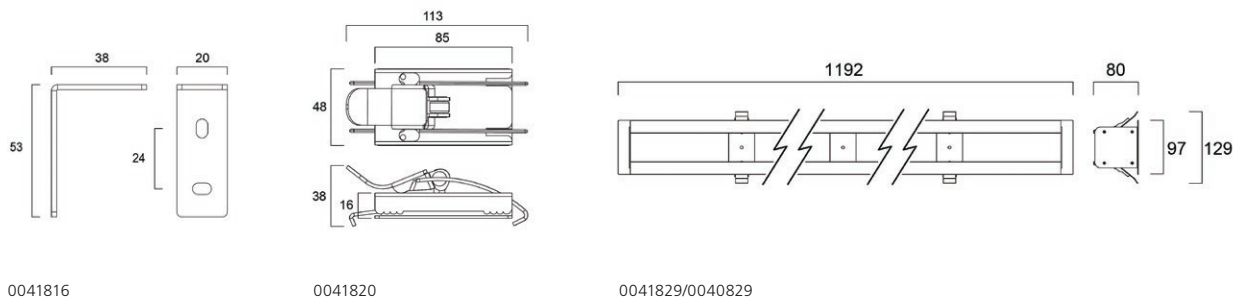
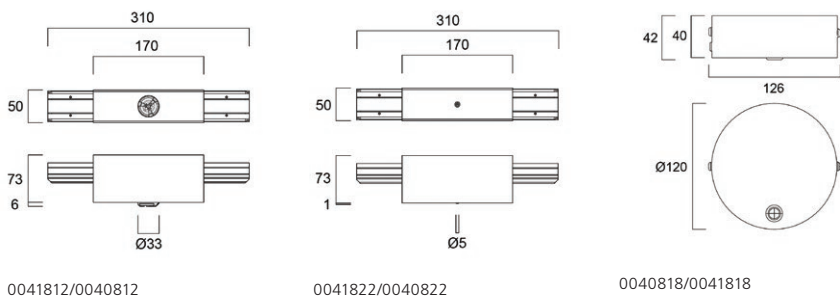
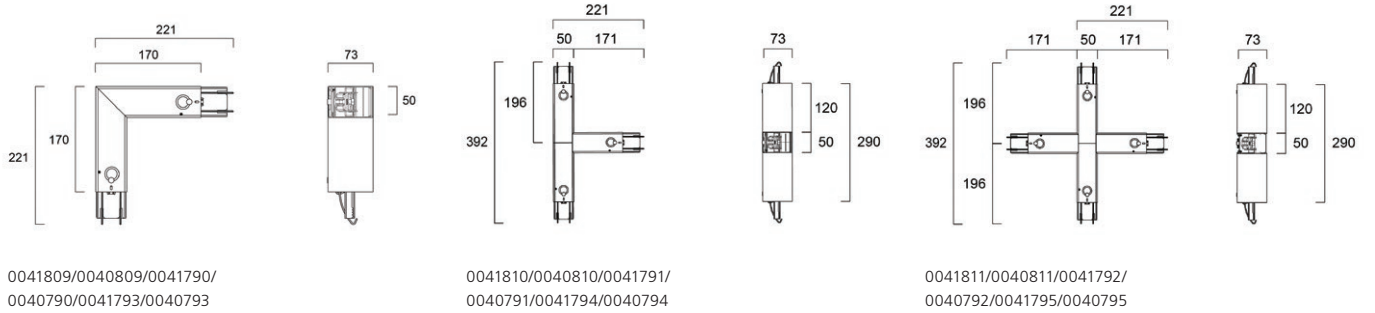


0041830



0040830

Dimensions (mm) - Accessories





Connection Units Opal

CCT	Code	Description	Light distribution - standard luminaire	No of connected luminaires	Luminous flux [lm] - connection unit	Power [W] - connection unit	Efficacy [lm/W] - connection unit	Compatible Luminaire codes (OPAL)
White (RAL9003) versions								
3000/4000	0041809	OTAO LINEAR CORN-L OPAL 830/840 WH	Direct	2	550/600	4.6	120/130	
		OTAO LINEAR CORN-L OPAL 830/840 WH	Direct	2	590/640	4.9	120/131	
		OTAO LINEAR CORN-L OPAL 830/840 WH	Direct/Indirect	2	590/640	4.9	120/131	
		OTAO LINEAR CORN-L OPAL 830/840 WH	Direct/Indirect	2	630/700	5.3	119/132	
3000/4000	0041810	OTAO LINEAR CORN-T OPAL 830/840 WH	Direct	3	825/900	6.9	120/130	
		OTAO LINEAR CORN-T OPAL 830/840 WH	Direct	3	885/960	7.5	118/128	0041800
		OTAO LINEAR CORN-T OPAL 830/840 WH	Direct/Indirect	3	885/960	7.5	118/128	0041801
		OTAO LINEAR CORN-T OPAL 830/840 WH	Direct/Indirect	3	945/1050	8.0	118/131	0041832
3000/4000	0041811	OTAO LINEAR CORN-X OPAL 830/840 WH	Direct	4	1100/1200	9.2	120/130	
		OTAO LINEAR CORN-X OPAL 830/840 WH	Direct	4	1180/1280	9.8	120/131	
		OTAO LINEAR CORN-X OPAL 830/840 WH	Direct/Indirect	4	1180/1280	9.8	120/131	
		OTAO LINEAR CORN-X OPAL 830/840 WH	Direct/Indirect	4	1260/1400	10.9	116/128	
Black (RAL9011) versions								
3000/4000	0040809	OTAO LINEAR CORN-L OPAL 830/840 BK	Direct	2	490/540	4.6	107/117	
		OTAO LINEAR CORN-L OPAL 830/840 BK	Direct	2	520/570	4.9	106/116	
		OTAO LINEAR CORN-L OPAL 830/840 BK	Direct/Indirect	2	520/570	4.9	106/116	
		OTAO LINEAR CORN-L OPAL 830/840 BK	Direct/Indirect	2	560/620	5.3	106/117	
3000/4000	0040810	OTAO LINEAR CORN-T OPAL 830/840 BK	Direct	3	730/800	6.9	106/116	
		OTAO LINEAR CORN-T OPAL 830/840 BK	Direct	3	790/860	7.5	105/115	0041800
		OTAO LINEAR CORN-T OPAL 830/840 BK	Direct/Indirect	3	790/860	7.5	105/115	0041801
		OTAO LINEAR CORN-T OPAL 830/840 BK	Direct/Indirect	3	840/940	8.0	105/118	0041832
3000/4000	0040811	OTAO LINEAR CORN-X OPAL 830/840 BK	Direct	4	980/1070	9.2	107/116	
		OTAO LINEAR CORN-X OPAL 830/840 BK	Direct	4	1050/1140	9.8	107/116	
		OTAO LINEAR CORN-X OPAL 830/840 BK	Direct/Indirect	4	1050/1140	9.8	107/116	
		OTAO LINEAR CORN-X OPAL 830/840 BK	Direct/Indirect	4	1120/1250	10.9	103/115	

Connection units are available only with Opal diffuser



Connection Units Prismatic

CCT	Code	Description	Light distribution - standard luminaire	No of connected luminaires	Luminous flux [lm] - connection unit	Power [W] - connection unit	Efficacy [lm/W] - connection unit	Compatible Luminaire codes (OPAL)
White (RAL9003) versions								
3000/4000	0041790	OTAO LINEAR CORN-L PRIS 830/840 WH	Direct	2	640/640	3.7	173/173	
		OTAO LINEAR CORN-L PRIS 830/840 WH	Direct	2	670/670	4.0	168/168	
		OTAO LINEAR CORN-L PRIS 830/840 WH	Direct/Indirect	2	670/670	4.0	168/168	
		OTAO LINEAR CORN-L PRIS 830/840 WH	Direct/Indirect	2	750/750	4.4	170/170	
3000/4000	0041791	OTAO LINEAR CORN-T PRIS 830/840 WH	Direct	3	860/860	5.5	156/156	
		OTAO LINEAR CORN-T PRIS 830/840 WH	Direct	3	960/960	6.0	160/160	0041873
		OTAO LINEAR CORN-T PRIS 830/840 WH	Direct/Indirect	3	960/960	6.0	160/160	0041874
		OTAO LINEAR CORN-T PRIS 830/840 WH	Direct/Indirect	3	1100/1100	6.4	172/172	0041833
3000/4000	0041792	OTAO LINEAR CORN-X PRIS 830/840 WH	Direct	4	1220/1220	7.5	163/163	
		OTAO LINEAR CORN-X PRIS 830/840 WH	Direct	4	1350/1350	8.0	169/169	
		OTAO LINEAR CORN-X PRIS 830/840 WH	Direct/Indirect	4	1350/1350	8.0	169/169	
		OTAO LINEAR CORN-X PRIS 830/840 WH	Direct/Indirect	4	1450/1450	8.7	167/167	
Black (RAL9011) versions								
3000/4000	0040790	OTAO LINEAR CORN-L PRIS 830/840 BK	Direct	2	640/640	3.7	173/173	
		OTAO LINEAR CORN-L PRIS 830/840 BK	Direct	2	670/670	4.0	168/168	
		OTAO LINEAR CORN-L PRIS 830/840 BK	Direct/Indirect	2	670/670	4.0	168/168	
		OTAO LINEAR CORN-L PRIS 830/840 BK	Direct/Indirect	2	750/750	4.4	170/170	
3000/4000	0040791	OTAO LINEAR CORN-T PRIS 830/840 BK	Direct	3	860/860	5.5	156/156	
		OTAO LINEAR CORN-T PRIS 830/840 BK	Direct	3	960/960	6.0	160/160	0040873
		OTAO LINEAR CORN-T PRIS 830/840 BK	Direct/Indirect	3	960/960	6.0	160/160	0040874
		OTAO LINEAR CORN-T PRIS 830/840 BK	Direct/Indirect	3	1100/1100	6.4	172/172	0040833
3000/4000	0040792	OTAO LINEAR CORN-X PRIS 830/840 BK	Direct	4	1220/1220	7.5	163/163	
		OTAO LINEAR CORN-X PRIS 830/840 BK	Direct	4	1350/1350	8.0	169/169	
		OTAO LINEAR CORN-X PRIS 830/840 BK	Direct/Indirect	4	1350/1350	8.0	169/169	
		OTAO LINEAR CORN-X PRIS 830/840 BK	Direct/Indirect	4	1450/1450	8.7	167/167	

Connection units are available only with Prismatic diffuser



Connection Units Dummy

CCT	Code	Description	Light distribution - standard luminaire	No of connected luminaires	Luminous flux [lm] - connection unit	Power [W] - connection unit	Efficacy [lm/W] - connection unit	Compatible Luminaire codes (OPAL)
White (RAL9003) versions								
3000/4000	0041793	OTAO LINEAR CORN-L DUMMY WH	Direct	2	-	-	-	
		OTAO LINEAR CORN-L DUMMY WH	Direct	2	-	-	-	
		OTAO LINEAR CORN-L DUMMY WH	Direct/Indirect	2	-	-	-	
		OTAO LINEAR CORN-L DUMMY WH	Direct/Indirect	2	-	-	-	
								0041804
								0041805
3000/4000	0041794	OTAO LINEAR CORN-T DUMMY WH	Direct	3	-	-	-	0041834
		OTAO LINEAR CORN-T DUMMY WH	Direct	3	-	-	-	0041823
		OTAO LINEAR CORN-T DUMMY WH	Direct/Indirect	3	-	-	-	0041824
		OTAO LINEAR CORN-T DUMMY WH	Direct/Indirect	3	-	-	-	0041835
		OTAO LINEAR CORN-T DUMMY WH	Direct/Indirect	3	-	-	-	0041825
								0041826
								0041836
3000/4000	0041795	OTAO LINEAR CORN-X DUMMY WH	Direct	4	-	-	-	
		OTAO LINEAR CORN-X DUMMY WH	Direct	4	-	-	-	
		OTAO LINEAR CORN-X DUMMY WH	Direct/Indirect	4	-	-	-	
		OTAO LINEAR CORN-X DUMMY WH	Direct/Indirect	4	-	-	-	
Black (RAL9011) versions								
3000/4000	0040793	OTAO LINEAR CORN-L DUMMY BK	Direct	2	-	-	-	
		OTAO LINEAR CORN-L DUMMY BK	Direct	2	-	-	-	
		OTAO LINEAR CORN-L DUMMY BK	Direct/Indirect	2	-	-	-	
		OTAO LINEAR CORN-L DUMMY BK	Direct/Indirect	2	-	-	-	
								0040804
								0040805
3000/4000	0040794	OTAO LINEAR CORN-T DUMMY BK	Direct	3	-	-	-	0040834
		OTAO LINEAR CORN-T DUMMY BK	Direct	3	-	-	-	0040823
		OTAO LINEAR CORN-T DUMMY BK	Direct/Indirect	3	-	-	-	0040824
		OTAO LINEAR CORN-T DUMMY BK	Direct/Indirect	3	-	-	-	0040835
		OTAO LINEAR CORN-T DUMMY BK	Direct/Indirect	3	-	-	-	0040825
								0040826
								0040836
3000/4000	0040795	OTAO LINEAR CORN-X DUMMY BK	Direct	4	-	-	-	
		OTAO LINEAR CORN-X DUMMY BK	Direct	4	-	-	-	
		OTAO LINEAR CORN-X DUMMY BK	Direct/Indirect	4	-	-	-	
		OTAO LINEAR CORN-X DUMMY BK	Direct/Indirect	4	-	-	-	

Indirect Modules Compatibility Matrix

Otao 1.2	Indirect Module				
	Optic	Code	0041815	0041813	0041814
Standard Luminaire	Opal Diffuser	0041800 / 0041801	✓	✗	✗
		0040800 / 0040801	✓	✗	✗
	Prismatic Diffuser	0041802 / 0041803	✗	✓	✗
		0040802 / 0040803	✗	✓	✗
	Reflector White	0041873 / 0041874	✗	✓	✗
		0040873 / 0040874	✗	✓	✗
	Reflector Black	0041804 / 0041805	✗	✗	✓
		0040804 / 0040805	✗	✗	✓
	Reflector Silver	0041823 / 0041824	✗	✗	✓
		0040823 / 0040824	✗	✗	✓
Reflector Silver	0041825 / 0041826	✗	✗	✓	
	0040825 / 0040826	✗	✗	✓	

Indirect module to be ordered separately

Otao 1.5	Indirect Module				
	Optic	Code	0041815	0041813	0041814
Standard Luminaire	Opal Diffuser	0041832 / 0040832	✓	✗	✗
		0040832 / 0040832	✓	✗	✗
	Prismatic Diffuser	0041833 / 0040833	✗	✓	✗
		0040833 / 0040833	✗	✓	✗
	Reflector White	0041834 / 0040834	✗	✗	✓
	Reflector Black	0041835 / 0040835	✗	✗	✓
	Reflector Silver	0041836 / 0040836	✗	✗	✓
	Indirect module to be ordered separately				

Indirect module to be ordered separately

Otao Linear - luminous flux of linear product in EM mode

Code	Description	Colour Temp [K]	CRI	Dimmable	Luminaire Control Technology	EM module code	EM module additional power [W]	Luminous Flux 3000K / 4000K [lm]	Efficacy 3000K / 4000K [lm/W]
Opal Diffuser									
White (RAL9003) Finishing									
0041800	OTAO LINEAR 1.2 OPAL 830/840 MP WH			-	-	0041827	2.5	230/250	92/100
0041801	OTAO LINEAR 1.2 OPAL 830/840 DALI WH	3000/4000	>80	Yes	DALI	0041822	2	220/230	110/115
0041832	OTAO LINEAR 1.5 OPAL 830/840 DALI WH								
Black (RAL9011) Finishing									
0040800	OTAO LINEAR 1.2 OPAL 830/840 MP BK			-	-	0040827	2.5	230/250	92/100
0040801	OTAO LINEAR 1.2 OPAL 830/840 DALI BK	3000/4000	>80	Yes	DALI	0040822	2	220/230	110/115
0040832	OTAO LINEAR 1.5 OPAL 830/840 DALI BK								
Prismatic Diffuser + Lens									
White (RAL9003) Finishing									
0041873	OTAO LINEAR 1.2 PRIS 830/840 MP WH			-	-	0041827	2.5	300/310	120/124
0041874	OTAO LINEAR 1.2 PRIS 830/840 DALI WH	3000/4000	>80	Yes	DALI	0041822	2	290/310	145/155
0041833	OTAO LINEAR 1.5 PRIS 830/840 DALI WH								
Black (RAL9011) Finishing									
0041873	OTAO LINEAR 1.2 PRIS 830/840 MP BK			-	-	0040827	2.5	300/310	120/124
0041874	OTAO LINEAR 1.2 PRIS 830/840 DALI BK	3000/4000	>80	Yes	DALI	0040822	2	290/310	145/155
0040833	OTAO LINEAR 1.5 PRIS 830/840 DALI BK								
Reflector White									
White (RAL9003) Finishing									
0041804	OTAO LINEAR 1.2 REF WHT 830/840 MP WH			-	-	0041827	2.5	300/310	120/124
0041805	OTAO LINEAR 1.2 REF WHT 830/840 DALI WH	3000/4000	>80	Yes	DALI	0041822	2	330/350	165/175
0041834	OTAO LINEAR 1.5 REF WHT 830/840 DALI WH								
Black (RAL9011) Finishing									
0040804	OTAO LINEAR 1.2 PRIS 830/840 MP BK			-	-	0040827	2.5	300/310	120/124
0040805	OTAO LINEAR 1.2 PRIS 830/840 DALI BK	3000/4000	>80	Yes	DALI	0040822	2	330/350	165/175
0040834	OTAO LINEAR 1.5 PRIS 830/840 DALI BK								
Reflector Black									
White (RAL9003) Finishing									
0041823	OTAO LINEAR 1.2 REF BLK 830/840 MP WH			-	-	0041827	2.5	300/310	120/124
0041824	OTAO LINEAR 1.2 REF BLK 830/840 DALI WH	3000/4000	>80	Yes	DALI	0041822	2	320/350	160/175
0041835	OTAO LINEAR 1.5 REF BLK 830/840 DALI WH								
Black (RAL9011) Finishing									
0040823	OTAO LINEAR 1.2 REF BLK 830/840 MP BK			-	-	0040827	2.5	300/310	120/124
0040824	OTAO LINEAR 1.2 REF BLK 830/840 DALI BK	3000/4000	>80	Yes	DALI	0040822	2	320/350	160/175
0040835	OTAO LINEAR 1.5 REF BLK 830/840 DALI BK								
Reflector Silver									
White (RAL9003) Finishing									
0041825	OTAO LINEAR 1.2 REF SIL 830/840 MP WH			-	-	0041827	2.5	300/310	120/124
0041826	OTAO LINEAR 1.2 REF SIL 830/840 DALI WH	3000/4000	>80	Yes	DALI	0041822	2	330/350	165/175
0041836	OTAO LINEAR 1.5 REF SIL 830/840 DALI WH								
Black (RAL9011) Finishing									
0040825	OTAO LINEAR 1.2 REF SIL 830/840 MP BK			-	-	0040827	2.5	300/310	120/124
0040826	OTAO LINEAR 1.2 REF SIL 830/840 DALI BK	3000/4000	>80	Yes	DALI	0040822	2	330/350	165/175
0040836	OTAO LINEAR 1.5 REF SIL 830/840 DALI BK								



Although every effort has been made to ensure accuracy in the compilation of the technical detail within this publication, specifications and performance data are constantly changing. Current details should therefore be checked with Feilo Sylvania International Group Kft.

Copyright Feilo Sylvania International Group Kft. June 2026

sylvania-group.com

A Feilo Sylvania Company